



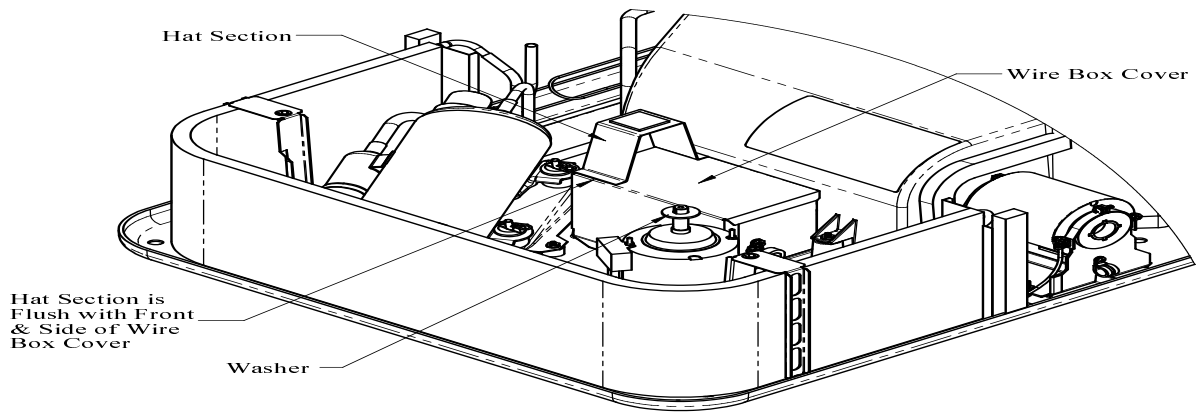
1472B5041 REPLACEMENT FAN BLADE FOR MACH 8 HEAT PUMPS AND AIR CONDITIONERS

CAUTION: To avoid personal injury, insure that all power is removed from the air conditioner before beginning the fan blade replacement.

- 1) Remove the four screws and washers which attach the upper plastic shroud to the air conditioner.
- 2) Set aside the upper plastic shroud.
- 3) Remove the existing fan blade using a T-25 Torx bit or a slotted screwdriver; retain the screw for installation of the new fan blade.
- 4) Clean the unit wire box cover to remove any foreign material.
- 5) Peel off the adhesive liners from the metal “hat section”. Align the hat section per illustration and firmly press onto the wire box cover.

Note: The hat section must be installed on wire box cover as shown. Other locations may interfere with fan blade operation.

- 6) Place new fan blade onto fan motor (insure that the original washer is still in place atop the retaining ring). Secure fan with the original screw, tighten only till rubberized washer is slightly concave. Spin fan to check for any fan strikes or interference with wires or tubing.
- 7) Re-install the upper shroud.
- 8) Restore power.
- 9) Operate system, recheck for any interferences.
- 10) This completes the fan replacement.



Airxcel, Inc.
RV Products Division
P.O. Box 4020
Wichita, KS 67204

Coleman is a registered trademark of The Coleman Company, Inc. used under license. Mach is a registered trademark.

1976-667 (3-14) PP