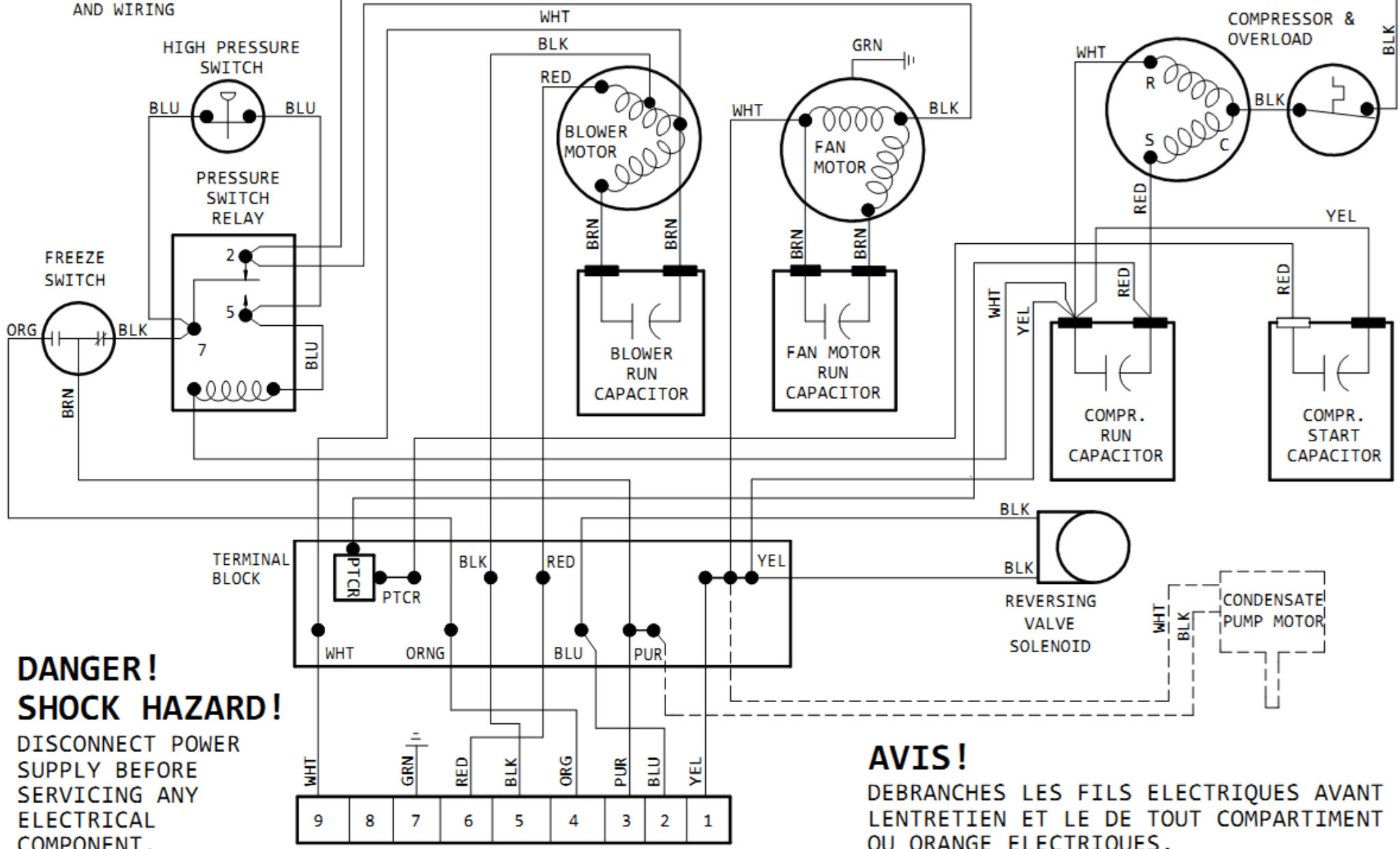


--- OPTIONAL COMPONENTS AND WIRING



**DANGER!**  
**SHOCK HAZARD!**

DISCONNECT POWER SUPPLY BEFORE SERVICING ANY ELECTRICAL COMPONENT.

PLUG CONNECTS TO CEILING ASSEMBLY. SEE DIAGRAM SUPPLIED WITH CEILING ASSEMBLY FOR ADDITIONAL WIRING.

**AVIS!**

DEBRANCHES LES FILS ELECTRIQUES AVANT L'ENTRETIEN ET LE DE TOUT COMPARTIMENT OU ORANGE ELECTRIQUES.