



CARRIER TO COLEMAN-MACH
ROOF TOP UNIT
ADAPTER KIT

Airxcel, Inc.
RV Products Division
P.O. Box 4020
Wichita, KS 67204

PART NUMBER MATCH-UP CHART

Carrier Roof Top Air Conditioner Cool Only Ducted

<u>Model Number</u>	<u>Part Number</u>	<u>Description</u>	<u>Color</u>
68RV14102A	99-00468-00	Standard AC	White
68RV14102A	99-00468-20	Standard AC	Black
68RV15102A	99-00468-08	High Capacity AC	White
68RV15102A	99-00468-28	High Capacity AC	Black
68RV15103A	99-00468-10	Lo Profile High Capacity AC	White
68RV15103A	99-00468-32	Lo Profile High Capacity AC	Black
68RV14103A	99-00468-12	Lo Profile Standard AC	White
68RV14103A	99-00468-30	Lo Profile Standard AC	Black

Carrier Ceiling Unit Cool Only Ducted

68RV0010KA	99-00469-06	Remote Cool Only Ducted	White
68RV0010KS	99-00469-35	Remote Cool Only Ducted Thick	White

Coleman-Mach Ceiling Unit Adapter Assembly

8330A5221

FOR USE WITH ANY COLEMAN-MACH ROOF TOP AIR CONDITIONER

Carrier Roof Top Heat Pump Ducted

<u>Model Number</u>	<u>Part Number</u>	<u>Description</u>	<u>Color</u>
68RV11112A	99-00468-06	Standard HP Ducted	White
68RV11112A	99-00468-26	Standard HP Ducted	Black
68RV14113A	99-00468-13	Lo Profile HP Ducted	White
68RV14113A	99-00468-33	Lo Profile HP Ducted	Black

Carrier Ceiling Unit Heat Pump Ducted

68RV0011LA	99-00469-13	Remote HP Ducted	White
68RV0011KS	99-00469-36	Remote HP Ducted Thick	White

Coleman-Mach Ceiling Unit Adapter Assembly

8530A5221

FOR USE WITH ANY COLEMAN-MACH ROOF TOP HEAT PUMP

Follow the steps in Figures 1 through 5 for removal of the Carrier roof top unit and installation of the Coleman-Mach unit.

WARNING

BEFORE PROCEEDING, TURN OFF ALL POWER TO THE UNIT (115 VAC AND 12 VDC)

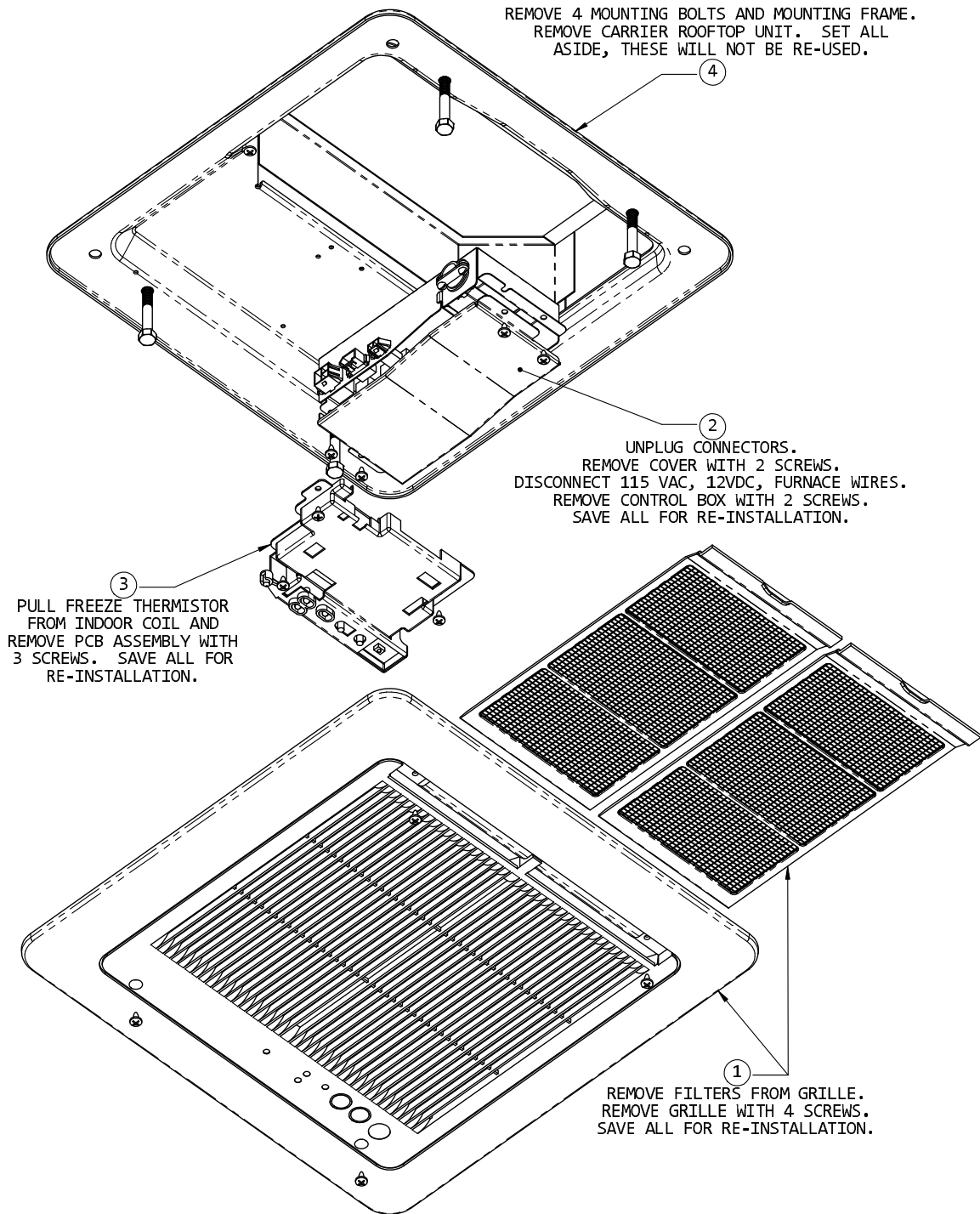
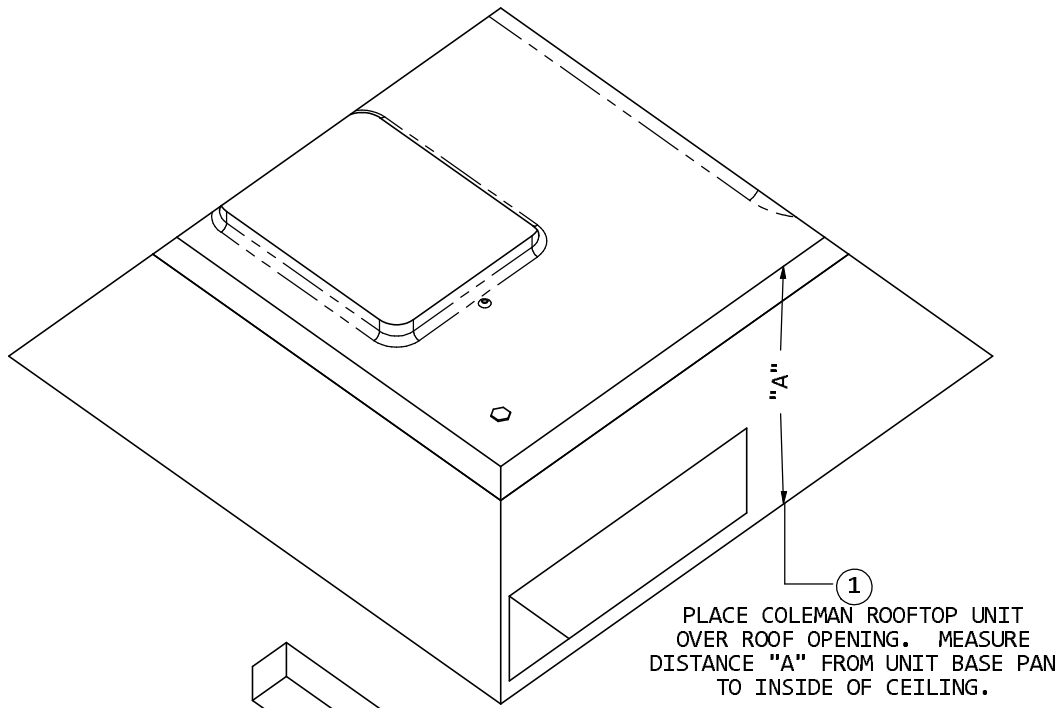
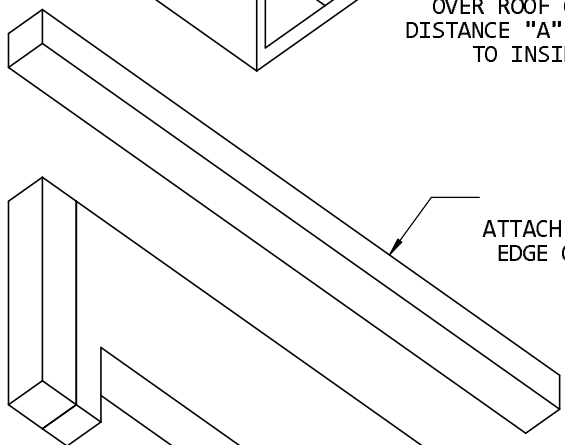


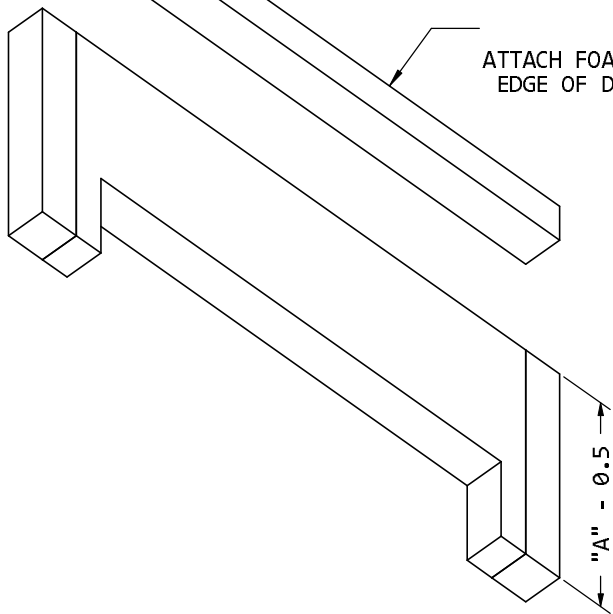
FIGURE 1
CARRIER UNIT REMOVAL PROCEDURE



PLACE COLEMAN ROOFTOP UNIT OVER ROOF OPENING. MEASURE DISTANCE "A" FROM UNIT BASE PAN TO INSIDE OF CEILING.



ATTACH FOAM STRIP TO TOP EDGE OF DIVIDER BOARD.



②
CUT HEIGHT OF DIVIDER BOARD TO DISTANCE "A" MINUS 0.5". CUT ONLY FROM TOP EDGE OF DIVIDER BOARD.

FIGURE 2
FITTING COLEMAN DIVIDER BOARD

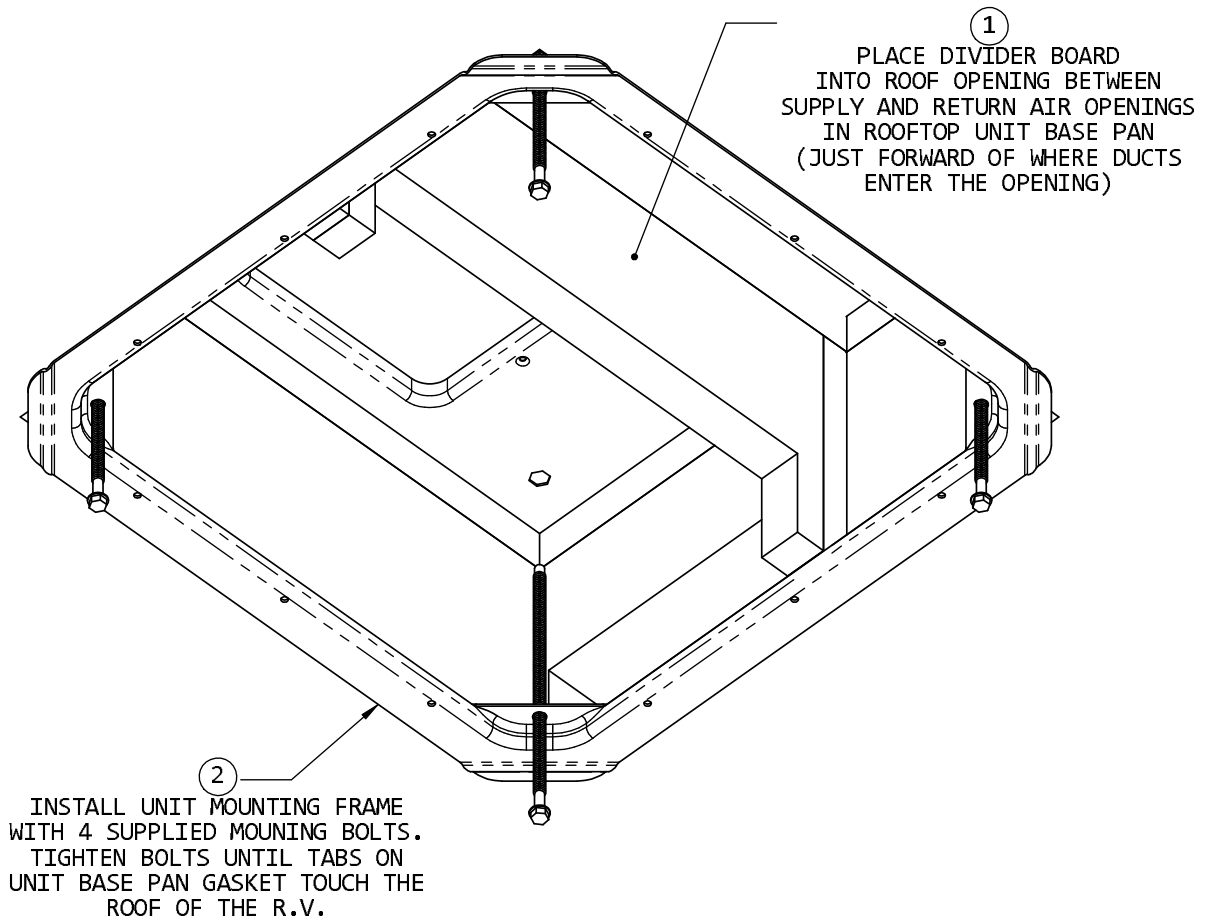


FIGURE 3
MOUNTING COLEMAN ROOFTOP UNIT

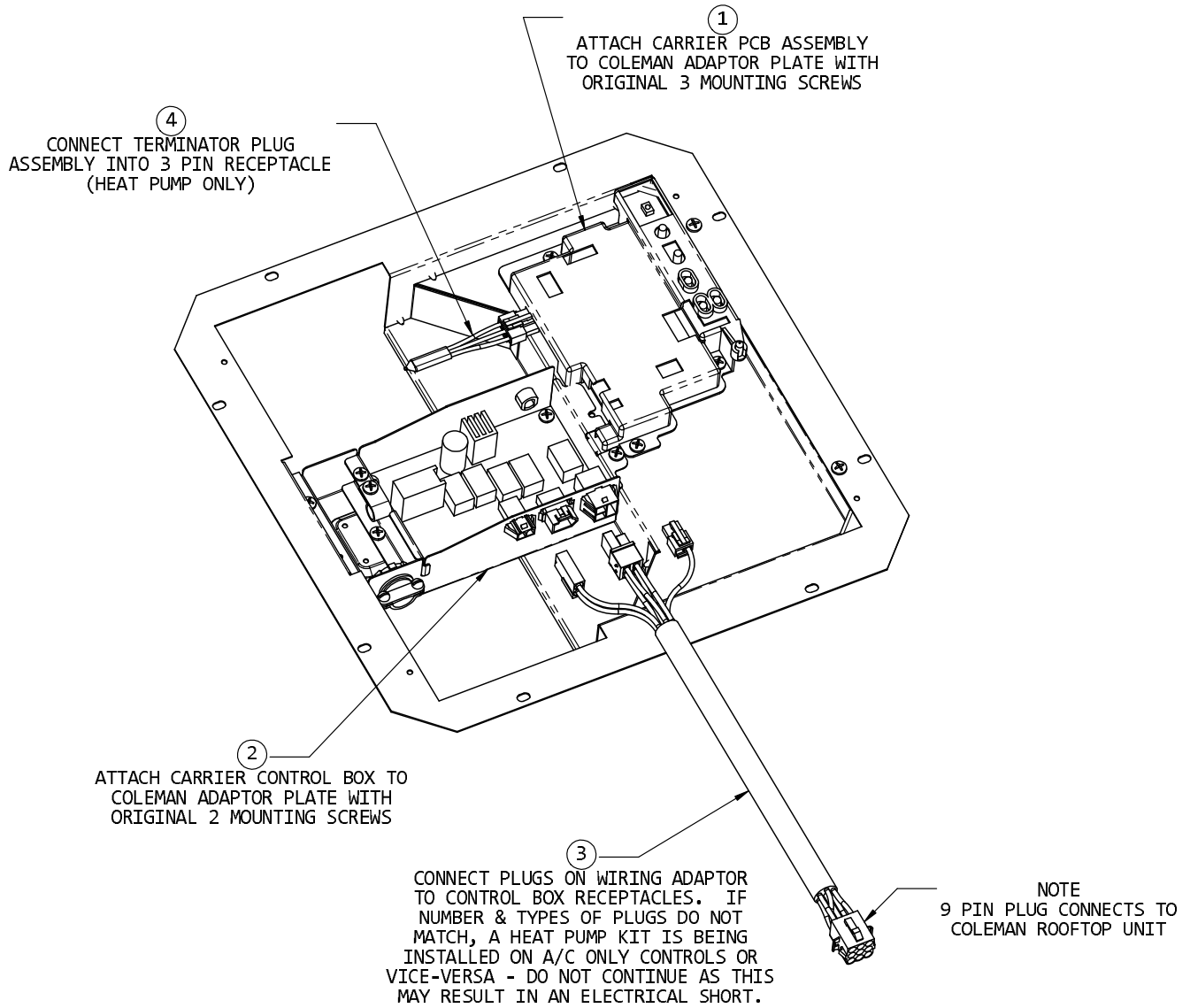


FIGURE 4
ATTACH CARRIER CONTROLS TO COLEMAN ADAPTOR PLATE

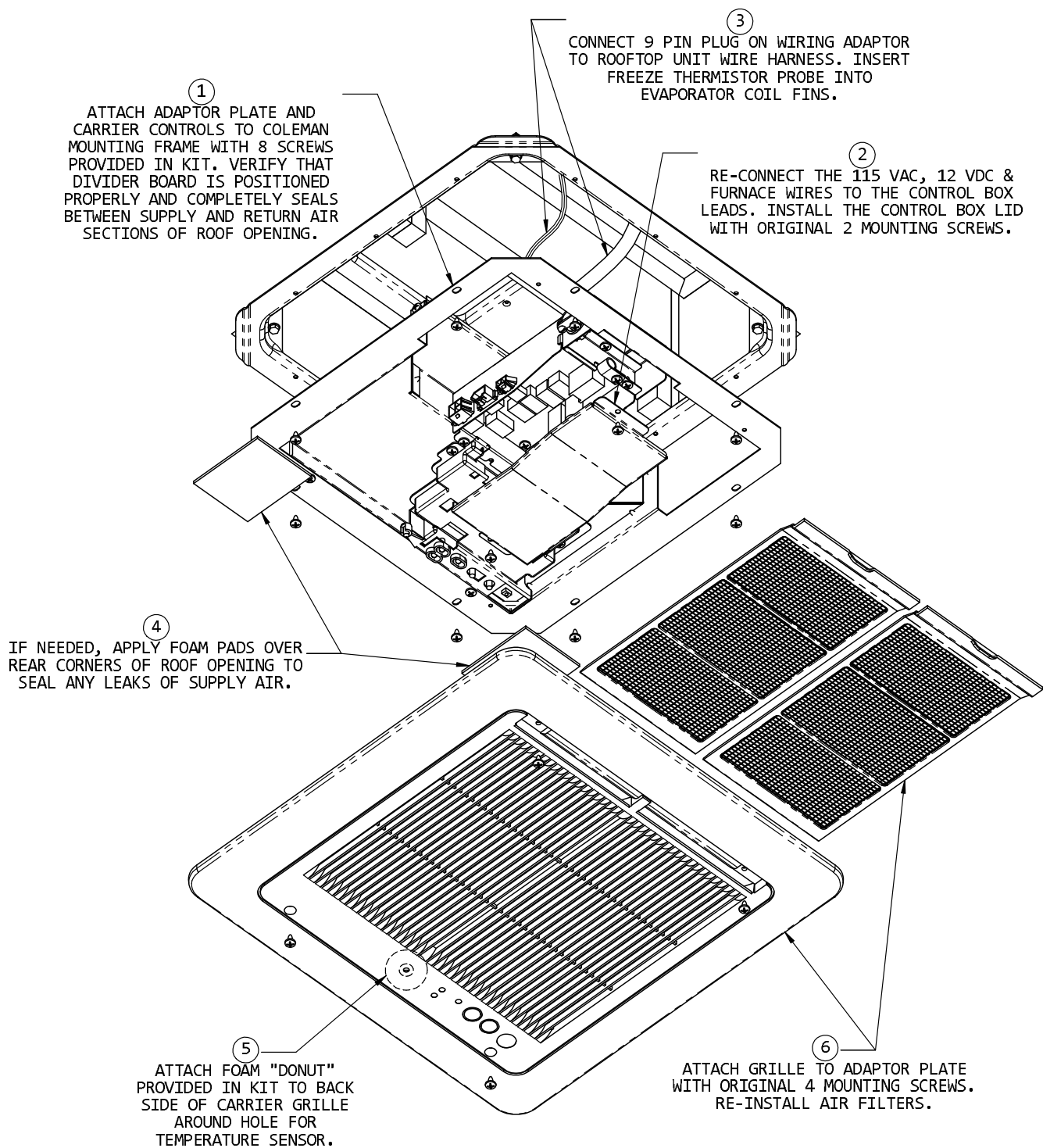


FIGURE 5
FINISHING INSTALLATION

