

Installation Instructions

48203-1101

TSR Top-Down Mounting Kit

Important! When using this method of rooftop unit installation, an electric heat element must not be installed. If an electric heater is to be installed, the standard interior frame mounting method must be used to allow access to the heater from below.

When using this top-down installation method, the vehicle must be structured with a minimum 0.200" thick 6061-T6 aluminum plate embedded in the vehicle roof for the rooftop unit mounting screws to engage.

1. Remove rooftop unit plastic shroud.
2. At the front of the rooftop unit, remove the 5 screws as shown in Figure 1 and re-use them to install the front brace provided in the kit. See Figure 1.
3. Remove the screw from the lower-rear corner of the evaporator housing as shown in Figure 1, slide the provided side bracket over the edge of the basepan and gently tap the bracket forward to align the side bracket hole with the hole in the basepan and re-install the screw. Repeat this step for the opposite side of the unit. See Figure 1.
4. See Figure 1 for locations where mounting screws will install in relation to the 14 x 14 inch opening in the vehicle roof. Even though the mounting screws are self-drilling, pilot holes may be pre-drilled in the roof at these locations.

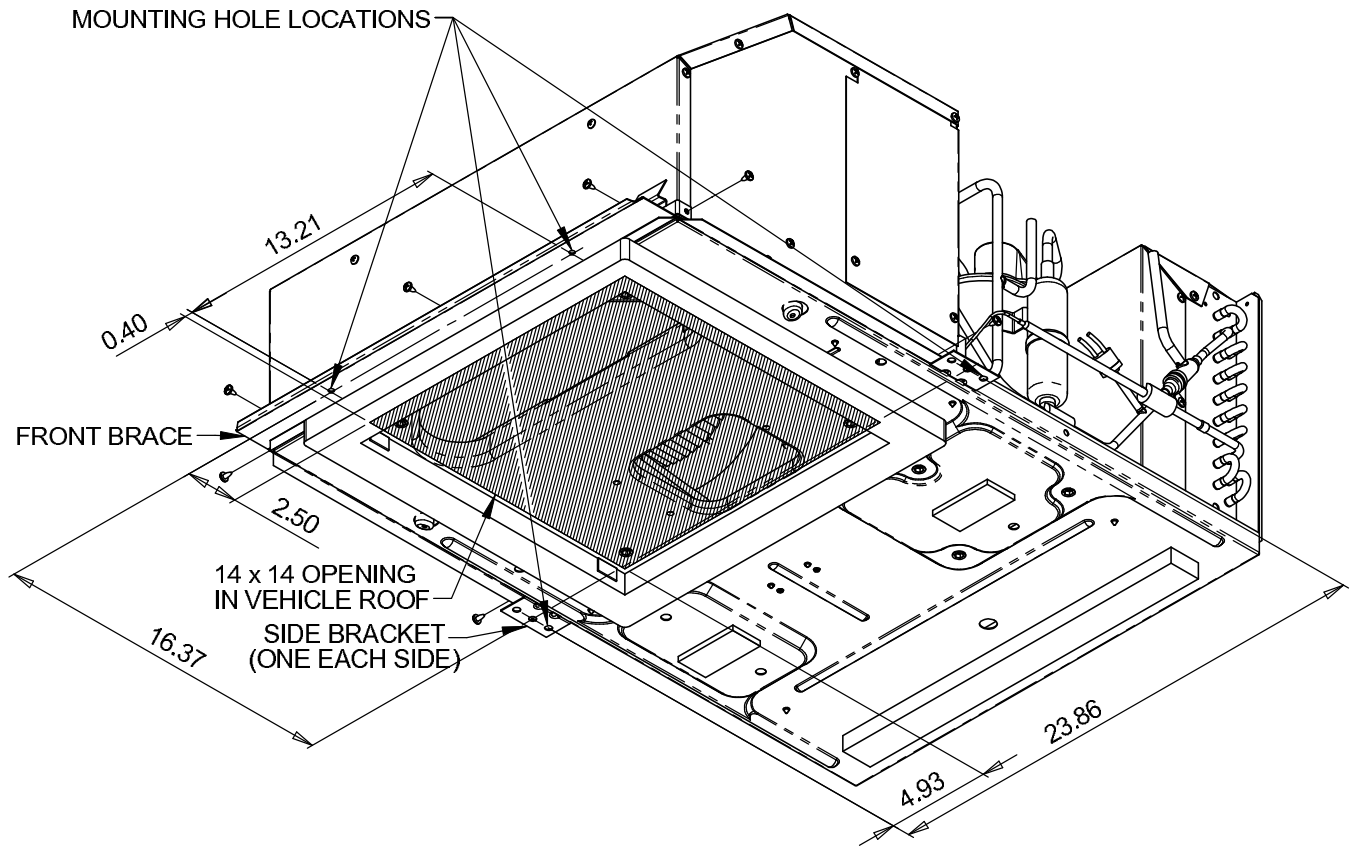


FIGURE 1

5. Apply silicone to the bottom of the rooftop unit 14 x 14 gasket and align over the opening in the vehicle roof for installation.
6. Apply silicone to the top and bottom face of the 4 provided spacers and locate under the front mounting brace and side brackets as shown in Figure 2.
7. Using the 4 provided self-drilling screws and gasketed washers, run the screws down through the mounting brackets, through the spacers and into the vehicle roof. Tighten screws just until the spacers pull down to the roof. Use care to **NOT STRIP THE SCREWS**. See Figure 2.
8. Apply silicone to the top of each mounting screw head and re-install the rooftop unit plastic shroud.

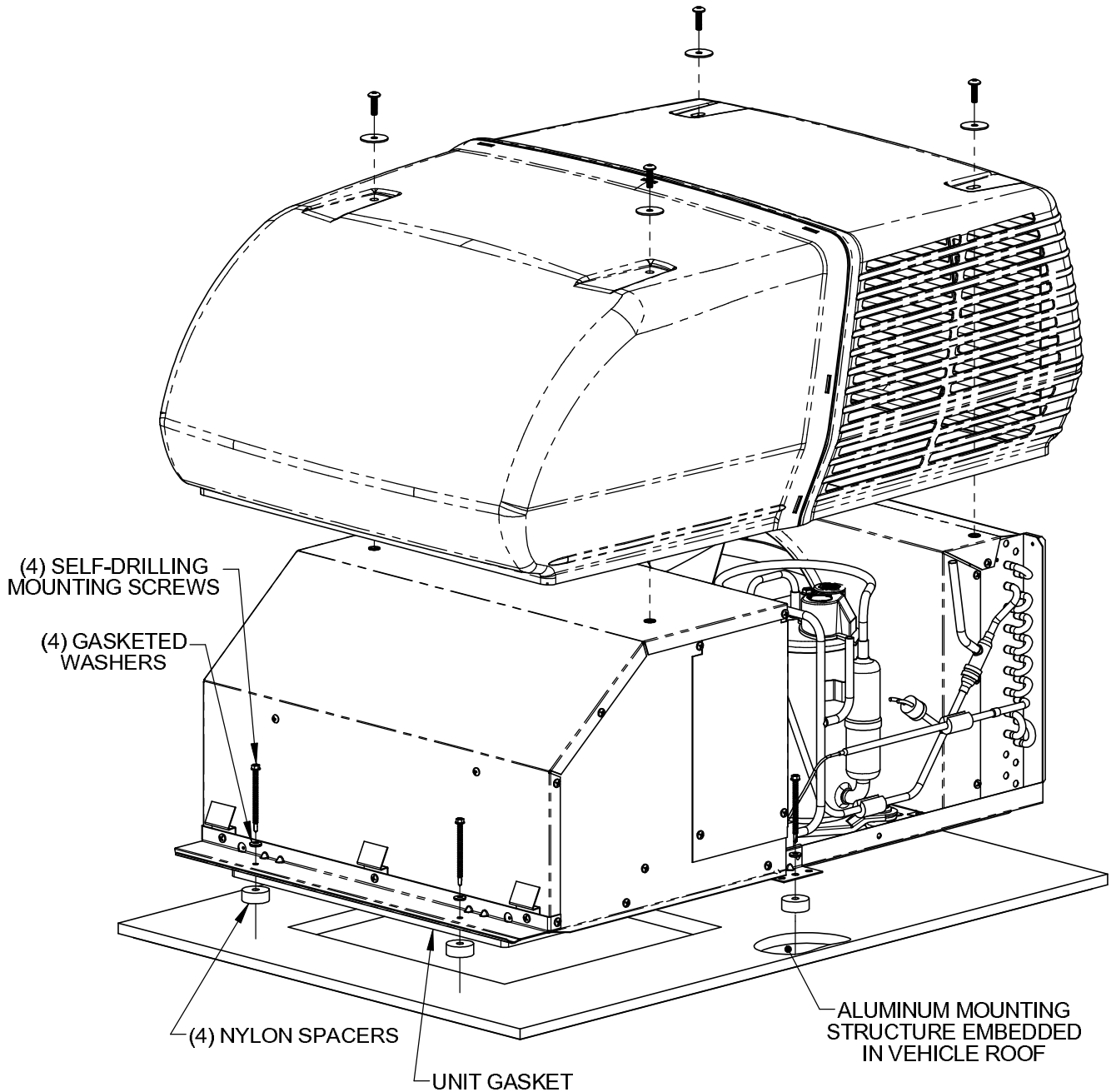


FIGURE 2