

6330-4561

ComfortGuard Accessory Heater Instructions

WARNING:

**TO AVOID ELECTRIC SHOCK, INSURE THAT ALL
POWER IS DISCONNECTED BEFORE
BEGINNING INSTALLATION**

**Refer to the enclosed wiring diagram. After installation, replace the
original diagram with this new one.**

1. Remove the top panel from the unit.
2. Cut the existing red and brown heater wires as close to the heater as possible, strip the ends back 5/8".
3. Remove and discard the existing heater (2 nuts at the bottom and 2 screws at the top).
4. Install the new heater using the nuts and screws removed from Step 2. Use the provided wire nuts to rewire the brown and red wires. Route the wires so as to avoid sharp edges or contact with heater elements. Keep wires as far from heater as possible.
5. Drill a 5/8" diameter hole in the side panel as shown in Figure 1. Cut a 3/8" wide slot from the panel edge to the 5/8" hole as shown.
6. Route the power cord through the slot and insert the protective bushing into the panel.
7. Unplug the wall thermostat cable from the unit and trim back approximately 4" of the sheathing to expose the individual wires. Locate the orange wire and using the provided wire splice, connect the orange low voltage wire from the new heater. Do the same for the blue wires. The wire splice snaps over the thermostat wire and the added wire slips into the splice, use 2 pliers to depress the blade into terminals. Snap the cover in place to secure. Re-install the cable to the unit.
8. Replace the unit top.
9. The auxiliary heater provides 586 Watts of heat in addition to the existing 2344 Watts of heat *only when* the thermostat is calling for both stages of heat *and* when the accessory cord is plugged into a 115 volt outlet with power available.
10. Test the new installation to insure that it operates. Use a clamp Amp meter to determine that all heaters are operating.

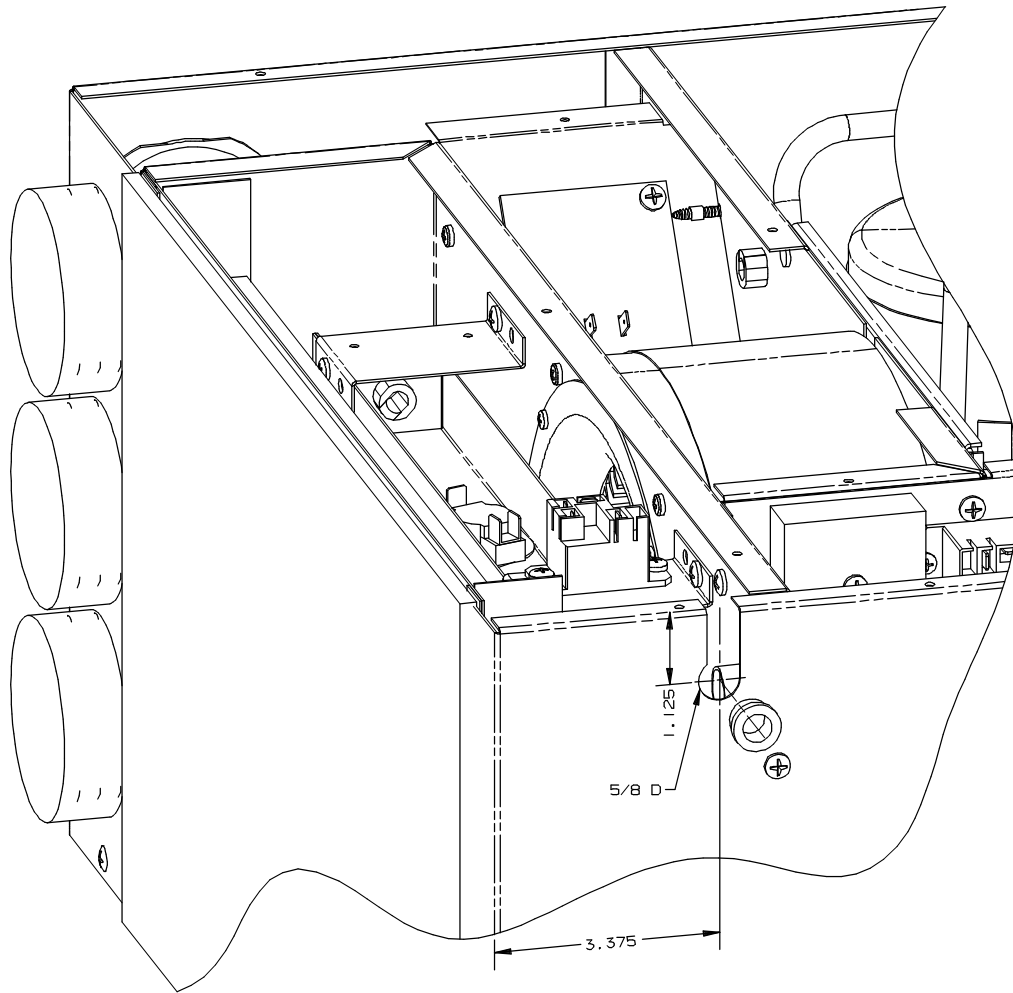


FIGURE 1