



## INSTALLATION AND OPERATING INSTRUCTIONS FOR 6795B3451 WALL THERMOSTAT

### APPLICATION

The 6795B3451 thermostat is a heat/cool model wall thermostat.

The thermostat wiring is factory installed by the OEM (Original Equipment Manufacturer). Recreation Vehicle Products suggests the thermostat wiring be minimum 18 gauge. The OEM supplies mating receptacles to adapt to this thermostat. The 6795B3451 may also operate any RV furnace 12 VDC control circuit not exceeding one amp. The thermostat is equipped with a replaceable 2 amp fuse located on the back of the thermostat body.

### INSTALLATION INSTRUCTIONS

**BE SURE ALL ELECTRICAL POWER HAS BEEN DISCONNECTED FROM THE AIR CONDITIONER AND THE POWER SUPPLY.**

These instructions are provided for the proper mounting of the thermostat itself. An Operation Chart is provided to show thermostat capabilities.

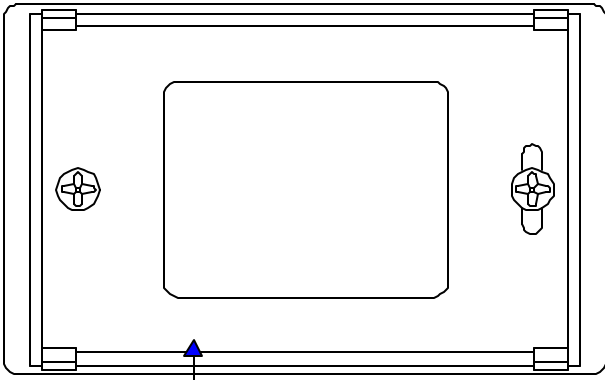
### A. THERMOSTAT LOCATION

This thermostat is a sensitive instrument. For accurate temperature control and comfort, the following considerations should be taken into account:

1. Locate the thermostat on an inside wall about five feet above the floor. Pick a dry area where air circulation is good.
2. Do not install the thermostat where there are unusual heating conditions; such as direct sunlight, heat producing appliances (television, radio, wall lamp, etc.) or a furnace or air conditioner supply register.

### B. ATTACHING THE WALL THERMOSTAT

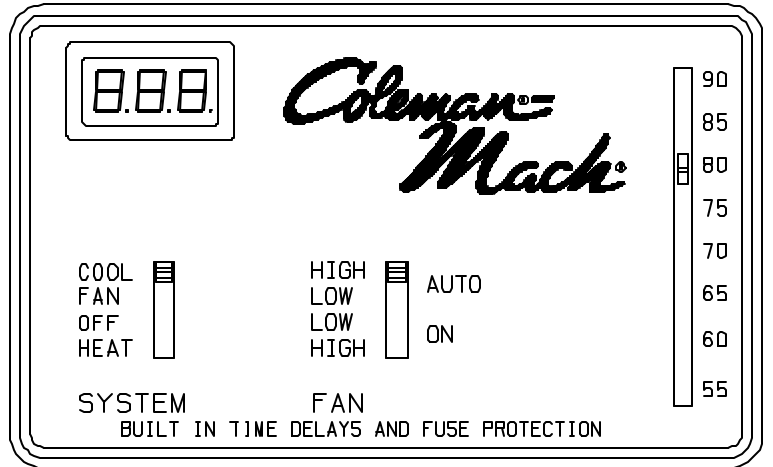
1. Separate the thermostat body from the sub-base by gently pulling at the top and bottom. See Figure 1.
2. Attach the new thermostat sub-base to the wall at the desired mounting location. **Mount the sub-base to the wall before connecting the plugs.**



Sub-base

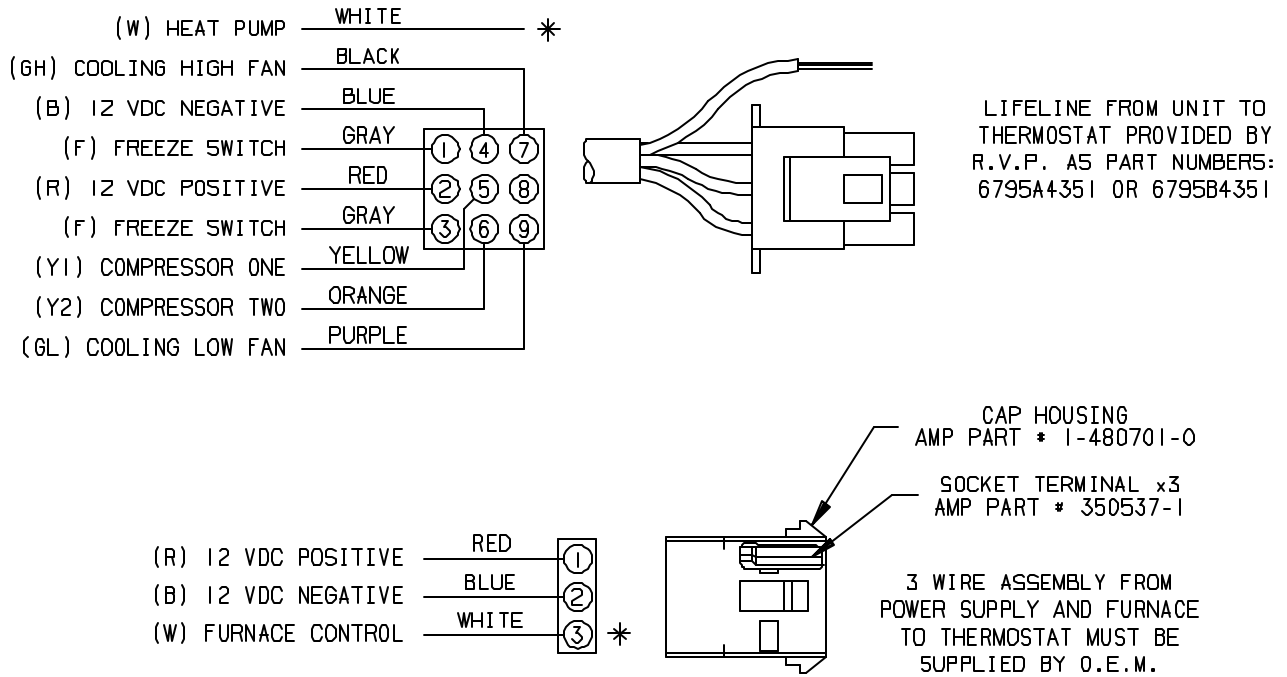
FIGURE 1

6795B3451 Thermostat



**C. WIRING THE WALL THERMOSTAT**

OEM must supply these mating parts to connect these thermostats per Figure 2.



\* WHEN THERMOSTAT IS USED ON HEAT PUMP, USE THERMOSTAT SUB-BASE ACCESSORY PART NO. 7330-3401 AND WIRE "W" PER INSTRUCTIONS FOUND WITH SUB-BASE.

**FIGURE 2**

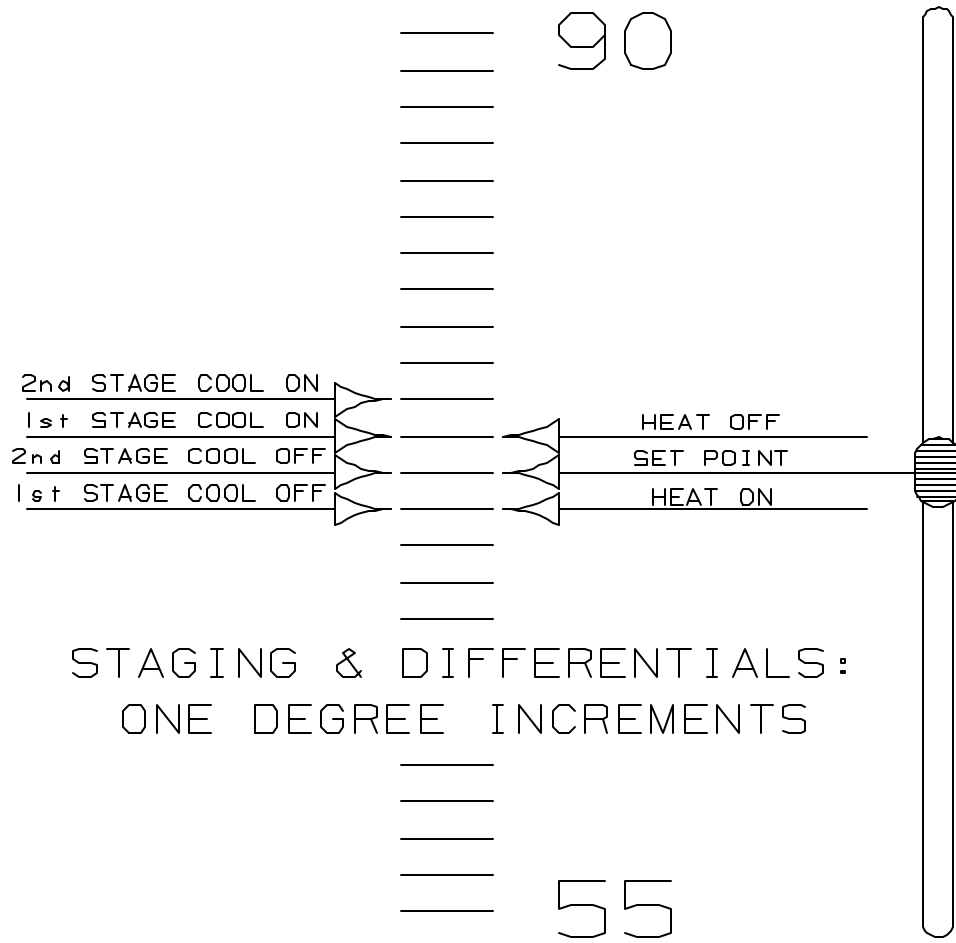


FIGURE 3

## OPERATION

The chart below shows the system functions with the 6795B3451 thermostat. After the entire air conditioning system (and furnace system) is installed, check each position function.

<input checked="" type="checkbox"/> SHOWS POSITION OF SWITCH								OPERATION
SYSTEM				FAN				
HEAT	COOL	OFF	FAN	AUTO HI LO	ON LO HI			
<input type="checkbox"/>	<input type="checkbox"/>	<input checked="" type="checkbox"/>	<input type="checkbox"/>	<input type="checkbox"/>	<input type="checkbox"/>	<input type="checkbox"/>	<input type="checkbox"/>	No functions occur.
<input type="checkbox"/>	<input type="checkbox"/>	<input type="checkbox"/>	<input checked="" type="checkbox"/>	<input type="checkbox"/>	<input type="checkbox"/>	<input type="checkbox"/>	<input type="checkbox"/>	Air conditioner fan runs at high speed continuously regardless of fan switch setting or setpoint. No other functions occur.
<input type="checkbox"/>	<input checked="" type="checkbox"/>	<input type="checkbox"/>	<input type="checkbox"/>	<input checked="" type="checkbox"/>	<input type="checkbox"/>	<input type="checkbox"/>	<input type="checkbox"/>	Air conditioner compressor and high speed fan cycle to satisfy setpoint.
<input type="checkbox"/>	<input checked="" type="checkbox"/>	<input type="checkbox"/>	<input type="checkbox"/>	<input type="checkbox"/>	<input checked="" type="checkbox"/>	<input type="checkbox"/>	<input type="checkbox"/>	Air conditioner compressor and low speed fan cycle to satisfy setpoint.
<input type="checkbox"/>	<input checked="" type="checkbox"/>	<input type="checkbox"/>	<input type="checkbox"/>	<input type="checkbox"/>	<input type="checkbox"/>	<input checked="" type="checkbox"/>	<input type="checkbox"/>	Air conditioner compressor cycles to satisfy setpoint. Air conditioner low speed fan runs continuously.
<input type="checkbox"/>	<input checked="" type="checkbox"/>	<input type="checkbox"/>	<input type="checkbox"/>	<input type="checkbox"/>	<input type="checkbox"/>	<input type="checkbox"/>	<input checked="" type="checkbox"/>	Air conditioner compressor cycles to satisfy setpoint. Air conditioner high speed fan runs continuously.
<input checked="" type="checkbox"/> +	<input type="checkbox"/>	<input type="checkbox"/>	<input type="checkbox"/>	<input checked="" type="checkbox"/>	<input type="checkbox"/>	<input type="checkbox"/>	<input type="checkbox"/>	Furnace and furnace blower cycles to satisfy setpoint. Furnace blower operates from sequencer or time delay in furnace. Air conditioning fan does not run.
<input checked="" type="checkbox"/> +	<input type="checkbox"/>	<input type="checkbox"/>	<input type="checkbox"/>	<input type="checkbox"/>	<input checked="" type="checkbox"/>	<input type="checkbox"/>	<input type="checkbox"/>	
<input checked="" type="checkbox"/> +	<input type="checkbox"/>	<input type="checkbox"/>	<input type="checkbox"/>	<input type="checkbox"/>	<input type="checkbox"/>	<input checked="" type="checkbox"/>	<input type="checkbox"/>	
<input checked="" type="checkbox"/> +	<input type="checkbox"/>	<input type="checkbox"/>	<input type="checkbox"/>	<input type="checkbox"/>	<input type="checkbox"/>	<input type="checkbox"/>	<input checked="" type="checkbox"/>	

The display indicates room temperature until the temperature selector is moved, at which time the display temporarily indicates setpoint. When a setpoint is selected, it will continue to be displayed for 3 seconds, after which the display reverts to room temperature.

All cooling functions controlling to setpoint have a short cycle protection time delay of 2 1/2 minutes. There will be no delay if the cycle **OFF** time exceeds 2 1/2 minutes.

**RV Products**  
**A Division of Airxcel, Inc.**  
**P.O. Box 4020**  
**Wichita, KS 67204**