



INSTALLATION INSTRUCTIONS FOR MODEL 7330D3371 & 7330D3381 WALL THERMOSTAT

APPLICATION

The 7330D3371 thermostat is a heat/cool model while the 7330D3381 is a cool only model thermostat.

These thermostats are designed to operate all R.V. Products ceiling assemblies, which control the air conditioner 115 VAC circuits through 12 VDC relays.

The thermostat wiring is factory installed by the OEM (Original Equipment Manufacturer). The OEM supplies mating receptacles to adapt to this thermostat. The 7330D3371 may also operate any RV furnace 12 VDC control circuit not exceeding one amp. All thermostats are equipped with a replaceable 2 amp fuse located on the back of the thermostat body.

INSTALLATION INSTRUCTIONS

BE SURE ALL ELECTRICAL POWER HAS BEEN DISCONNECTED FROM THE AIR CONDITIONER, THE CEILING ASSEMBLY AND THE POWER SUPPLY.

These instructions are provided for the proper mounting of the thermostat itself. An Operation Chart is provided to show thermostat capabilities.

Wiring procedure is dependent upon the ceiling assembly to be matched with this component, and is provided in the ceiling assembly installation instructions.

Recreation Vehicle Products suggests the thermostat wiring be minimum 18 gauge.

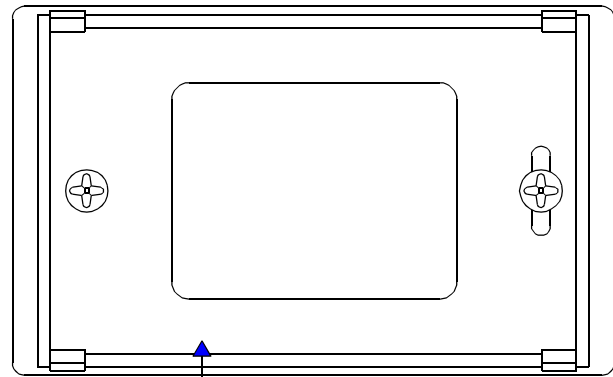
A. THERMOSTAT LOCATION

This thermostat is a sensitive instrument. For accurate temperature control and comfort, the following considerations should be taken into account:

1. Locate the thermostat on an inside wall about five feet above the floor. Pick a dry area where air circulation is good. The thermostat should be mounted within a reasonable distance from the appliance the thermostat will control. This will assure a more accurate temperature relationship between the thermostat and the appliance the thermostat will control.
2. Do not install the thermostat where there are unusual heating conditions; such as direct sunlight, heat producing appliances (television, radio, wall lamp, etc.) or a furnace or air conditioner supply register.

B. ATTACHING THE WALL THERMOSTAT

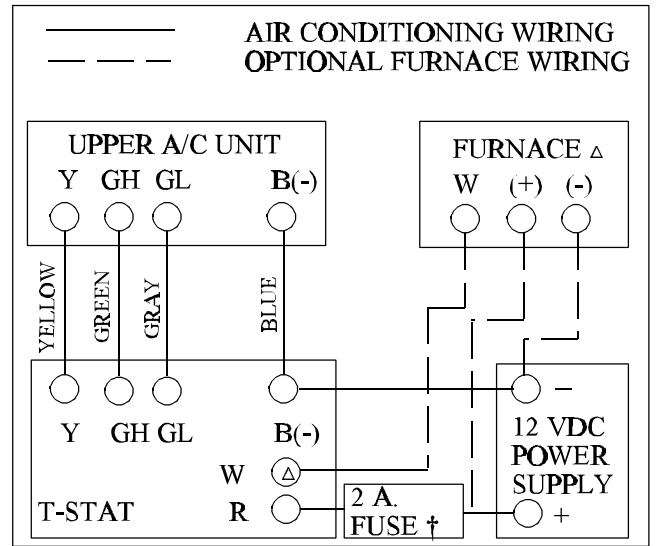
1. Separate the thermostat body from the sub-base by gently pulling at the top and bottom. See Figure 2.
2. Attach the new thermostat sub-base to the wall at the desired mounting location. **Mount the sub-base to the wall before connecting the plugs.**



Sub-base

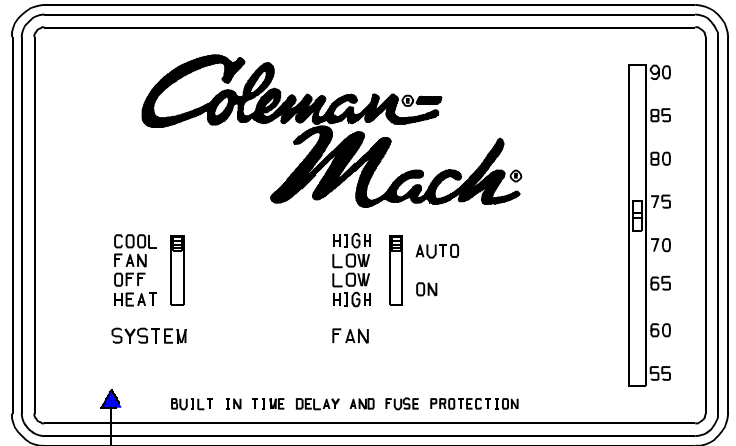
FIGURE 2

7330D3371
Heat/Cool Thermostat Shown
7330D3381
"Cool Only" Model Has No
Reference To Heat On Face Of
Thermostat



† Suggested Fuse To Protect Wiring Leading To Thermostat
a Not Found in "Cool Only" Applications

FIGURE 1



Thermostat Body

C. WIRING THE WALL THERMOSTAT

OEM must supply these mating parts to connect these thermostats per Figure 3.

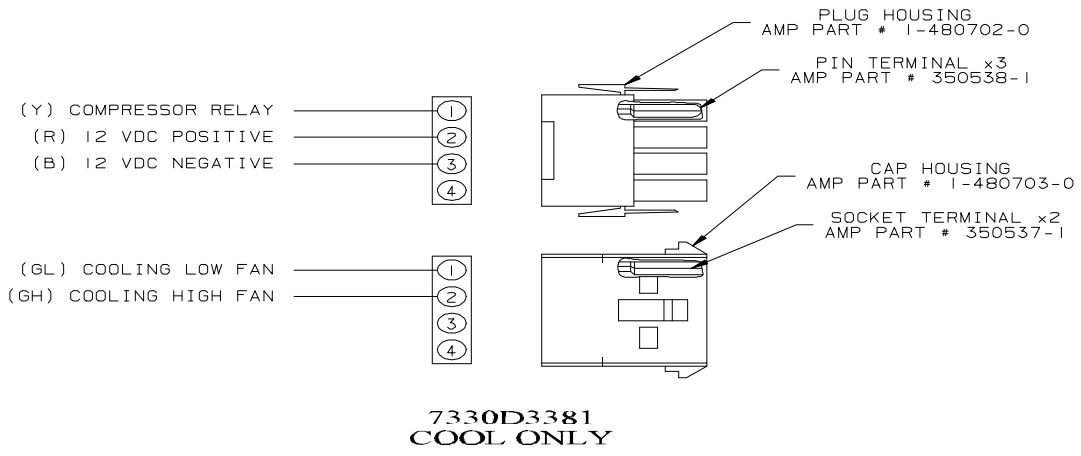
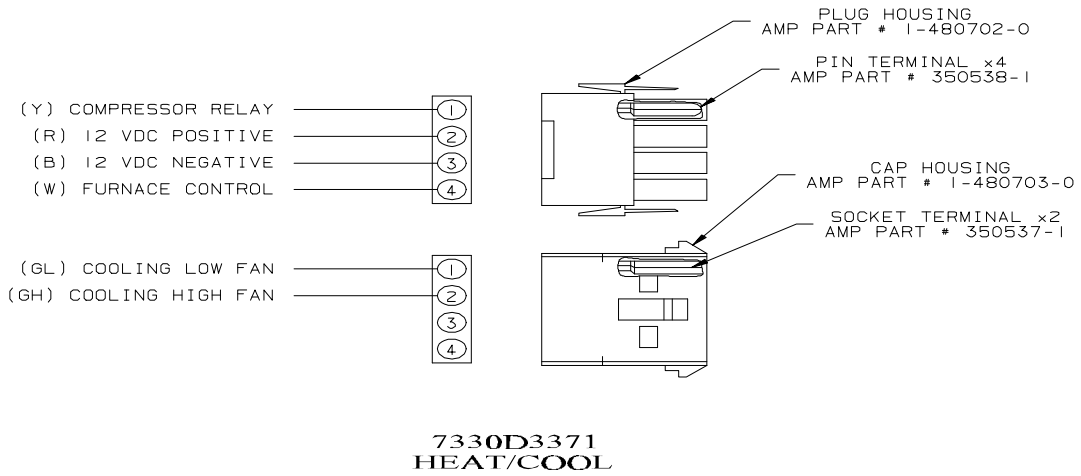


FIGURE 3

OPERATION

The chart below shows the system functions with the 7330D3371 thermostat. After the entire air conditioning system (and furnace system) is installed, check each position function. Disregard

<input checked="" type="checkbox"/> SHOWS POSITION OF SWITCH				FAN AUTO ON HI LO LO HI				OPERATION
SYSTEM								
* HEAT	COOL	OFF	FAN	HI	LO	LO	HI	
<input type="checkbox"/>	<input type="checkbox"/>	<input checked="" type="checkbox"/>	<input type="checkbox"/>	<input type="checkbox"/>	<input type="checkbox"/>	<input type="checkbox"/>	<input type="checkbox"/>	No functions occur.
<input type="checkbox"/>	<input type="checkbox"/>	<input type="checkbox"/>	<input checked="" type="checkbox"/>	<input type="checkbox"/>	<input type="checkbox"/>	<input type="checkbox"/>	<input type="checkbox"/>	Air conditioner fan runs at high speed continuously regardless of fan switch setting or setpoint. No other functions occur.
<input type="checkbox"/>	<input checked="" type="checkbox"/>	<input type="checkbox"/>	<input type="checkbox"/>	<input checked="" type="checkbox"/>	<input type="checkbox"/>	<input type="checkbox"/>	<input type="checkbox"/>	Air conditioner compressor and high speed fan cycle to satisfy setpoint.
<input type="checkbox"/>	<input checked="" type="checkbox"/>	<input type="checkbox"/>	<input type="checkbox"/>	<input type="checkbox"/>	<input checked="" type="checkbox"/>	<input type="checkbox"/>	<input type="checkbox"/>	Air conditioner compressor and low speed fan cycle to satisfy setpoint.
<input type="checkbox"/>	<input checked="" type="checkbox"/>	<input type="checkbox"/>	<input type="checkbox"/>	<input type="checkbox"/>	<input type="checkbox"/>	<input checked="" type="checkbox"/>	<input type="checkbox"/>	Air conditioner compressor cycles to satisfy setpoint. Air conditioner low speed fan runs continuously.
<input type="checkbox"/>	<input checked="" type="checkbox"/>	<input type="checkbox"/>	<input type="checkbox"/>	<input type="checkbox"/>	<input type="checkbox"/>	<input type="checkbox"/>	<input checked="" type="checkbox"/>	Air conditioner compressor cycles to satisfy setpoint. Air conditioner high speed fan runs continuously.
<input checked="" type="checkbox"/> *	<input type="checkbox"/>	<input type="checkbox"/>	<input type="checkbox"/>	<input checked="" type="checkbox"/>	<input type="checkbox"/>	<input type="checkbox"/>	<input type="checkbox"/>	Furnace and furnace blower cycles to satisfy setpoint. Furnace blower operates from sequencer or time delay in furnace. Air conditioning fan does not run.
<input checked="" type="checkbox"/> *	<input type="checkbox"/>	<input type="checkbox"/>	<input type="checkbox"/>	<input type="checkbox"/>	<input checked="" type="checkbox"/>	<input type="checkbox"/>	<input type="checkbox"/>	
<input checked="" type="checkbox"/> *	<input type="checkbox"/>	<input type="checkbox"/>	<input type="checkbox"/>	<input type="checkbox"/>	<input type="checkbox"/>	<input checked="" type="checkbox"/>	<input type="checkbox"/>	
<input checked="" type="checkbox"/> *	<input type="checkbox"/>	<input type="checkbox"/>	<input type="checkbox"/>	<input type="checkbox"/>	<input type="checkbox"/>	<input type="checkbox"/>	<input checked="" type="checkbox"/>	

All cooling functions controlling to setpoint have a short cycle protection time delay of 3 minutes. There will be no delay if the cycle **OFF** time exceeds 3 minutes.

* There is no heat switch or furnace function available with the 7330D3381 "Cool Only" thermostat.

RV Products
A Division of Airxcel, Inc.
P.O. Box 4020
Wichita, KS 67204