

LIFTAIRE I ELEVATOR AIR CONDITIONER

76°

75°

**THE AIR CONDITIONER/HEATER DESIGNED
SPECIFICALLY FOR ELEVATORS.**

74°

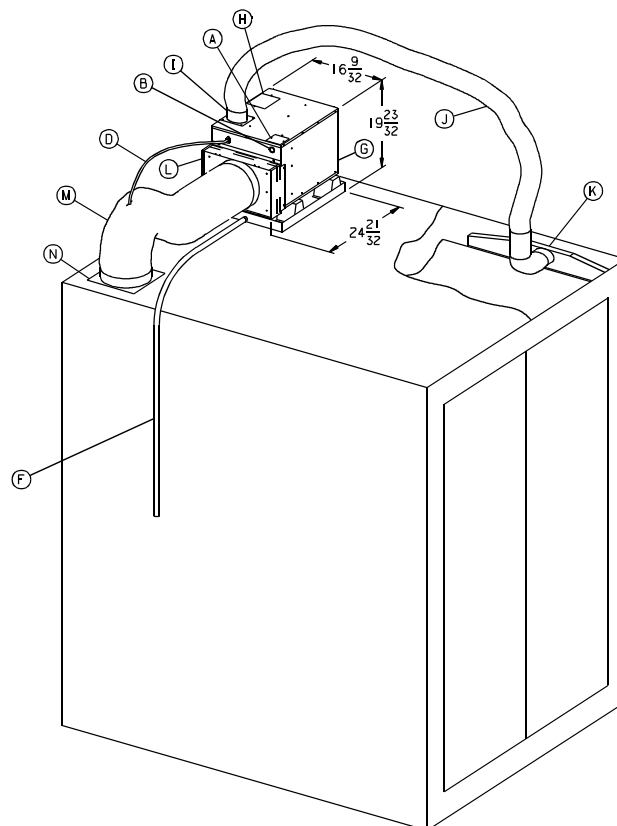
Now Airxcel™, the best selling brand in the recreation vehicle industry, has incorporated its unique experience and small air conditioner technology into building an elevator air conditioner/heater that is now in operation in over 12 countries and 100 cities around the world.

73°

The LiftAire™ Elevator Air Conditioner is the only cost-efficient alternative for first class comfort control in today's elevators. The lightweight, packaged unit mounts on top of the elevator and is supplied with a kit that includes everything you need for installation.

72°

71°



During operation, supply air is delivered in a cross-flow pattern from the top of the elevator, down to the floor and back up to the ceiling-mounted return air duct.

70°

In one easily installed package, the LiftAire™ Elevator Air Conditioner provides comfort, environmental compliance and cost efficiency with engineered features that include an adjustable thermostat mounted inside the return air flex duct, construction that limits vibration and a rotary compressor with ozone-safe refrigerant.

69°

68°

67°

66°

65°

- | | |
|---------------------------------|--|
| (A) FIELD WIRING ACCESS DOOR | (H) CONDENSER AIR DISCHARGE |
| (B) POWER WIRE ENTRY | (I) SUPPLY DUCT ADAPTOR ASSEMBLY |
| (C) THERMOSTAT | (J) 4" DIA. INSULATED SUPPLY AIR FLEX DUCT |
| (D) THERMOSTAT EXTENSION CABLE | (K) AIR DISTRIBUTION SCOOP |
| (E) THERMOSTAT MOUNTING BRACKET | (L) RETURN AIR BONNET & FILTER |
| (F) CONDENSATE DRAIN HOSE | (M) 10" DIA. RETURN AIR FLEX DUCT |
| (G) CONDENSER AIR INLET | (N) RETURN DUCT ADAPTOR ASSEMBLY |

By the way, did we mention the LiftAire™ Elevator Air Conditioner also has a high efficiency heater engineered, prewired and mounted for year-round comfort, at no additional charge?

1976J175 (3-08) PP

SERVICE INFORMATION

We believe that you will be pleased with the performance of the RVP LiftAire™ Elevator Air Conditioner. This unique product was specifically designed for installation on elevators. Should you need assistance in the installation of the product, or should you need service assistance after the unit is installed, please contact our exclusive sales and service agent for this product line listed below:

For Installations In North America:
Elevator Motors Corporation
80 Carolyn Blvd.
Farmingdale, NY 11735-1525

631-293-4220 (Voice)
631-293-2714 (Fax)
info@elevatormotors.com (E-Mail)

Attention: Mark or Robert Lane

For Installations Outside North America:
Global Elevator Products, Inc.
P.O. Box 147
Plainview, NY 11803-0147

516-932-7968 (Voice)
516-932-0987 (Fax)
info@globalelevator.com (E-Mail)

1. WARNINGS

IMPORTANT NOTICE

These instructions are for qualified individuals specially trained and experienced in installation of this type of electrical equipment and related system components.

Installation and service personnel are required by some states to be licensed. **PERSONS NOT QUALIFIED SHALL NOT INSTALL NOR SERVICE THIS EQUIPMENT.**

NOTE

The words “**Shall**” or “**Must**” indicate a requirement which is essential to satisfactory and safe product performance and installation.

The words “**Should**” or “**May**” indicate a recommendation or advice which is not essential and not required but is useful or helpful.

WARNING - SHOCK HAZARD

To prevent the possibility of severe personal injury or equipment damage due to electrical shock, always be sure the electrical power source to the appliance is disconnected during installation and service.

CAREFULLY FOLLOW ALL INSTRUCTIONS AND WARNINGS IN THIS BOOKLET TO AVOID DAMAGE TO THE EQUIPMENT, PERSONAL INJURY OR FIRE.

WARNING

Improper installation may damage equipment, can create a hazard and voids the warranty.

The use of components not tested in combination with this unit will void the warranty, may make the equipment in violation of state codes, may create a hazard and may ruin the equipment.

2. COMPONENT MATCH-UP

- | | | | |
|----|--|----|--------------------------------------|
| 1. | 6531G692 (115 V, 60 Hz) or 6571F662 (240 V, 50 Hz) Package Air Conditioner | 2. | 6531B625 Installation Kit (Included) |
|----|--|----|--------------------------------------|

3. SPECIFICATIONS AND UNIT IDENTIFICATION

USE THERMOSTAT MODEL 7330B344 SUPPLIED WITH ACCESSORY KIT #6531B625		
<input type="text" value="240"/>	<input type="text" value="50"/>	<input type="text" value="1"/>
<input type="text" value="115"/>	<input type="text" value="60"/>	<input type="text" value="1"/>
VOLTS AC	HZ	PHASE
		115V 240V
COMPRESSOR MOTOR (THERMALLY PROTECTED)	RLA	<input type="text" value="6.9"/> <input type="text" value="3.9"/>
	LRA	<input type="text" value="34.9"/> <input type="text" value="19.3"/>
ELECTRIC HEATER	FLA	<input type="text" value="12.5"/> <input type="text" value="6.7"/>
BLOWER FAN MOTOR 1.3 FLP	FLA	<input type="text" value="2.9"/> <input type="text" value="1.5"/>
MINIMUM CIRCUIT CAPACITY	AMP	<input type="text" value="20"/> <input type="text" value="16"/>
MAXIMUM OVERCURRENT PROTECTIVE DEVICE	AMP	<input type="text" value="20"/> <input type="text" value="16"/>
CHARGE WEIGHT	OZ	<input type="text" value="11.75"/> <input type="text" value="11.75"/> R-22 R-407C
MINIMUM SUPPLY CONDUCTOR GAUGE (COPPER) UTILISING THIS INSTALLATION IN CLURE		<input type="text" value="12"/> <input type="text" value="14"/>
MAXIMUM EXTERNAL STATIC PRESSURE .5 IN. H ₂ O		
UNIT	WEIGHT	75 LBS.
6831G692	LENGTH	22 F.8
6871H662	DEPTH	18 F.8
	HEIGHT	19 F.32
ACCESSORY	WEIGHT	28 LBS. *
KIT	LENGTH	8 F.4
6531B625	DEPTH	16 F.32
	HEIGHT	10
*DIMENSIONS OF RETURN AIR BONNET ONLY		

+ **Air Conditioner Only - Does Not Include Condensation Evaporator**

Evaporator Dimensions:

Weight	12 lbs.
Width	11.85"
Depth	13.63"
Height	8.125"

4. UNIT DEPICTION FIGURES

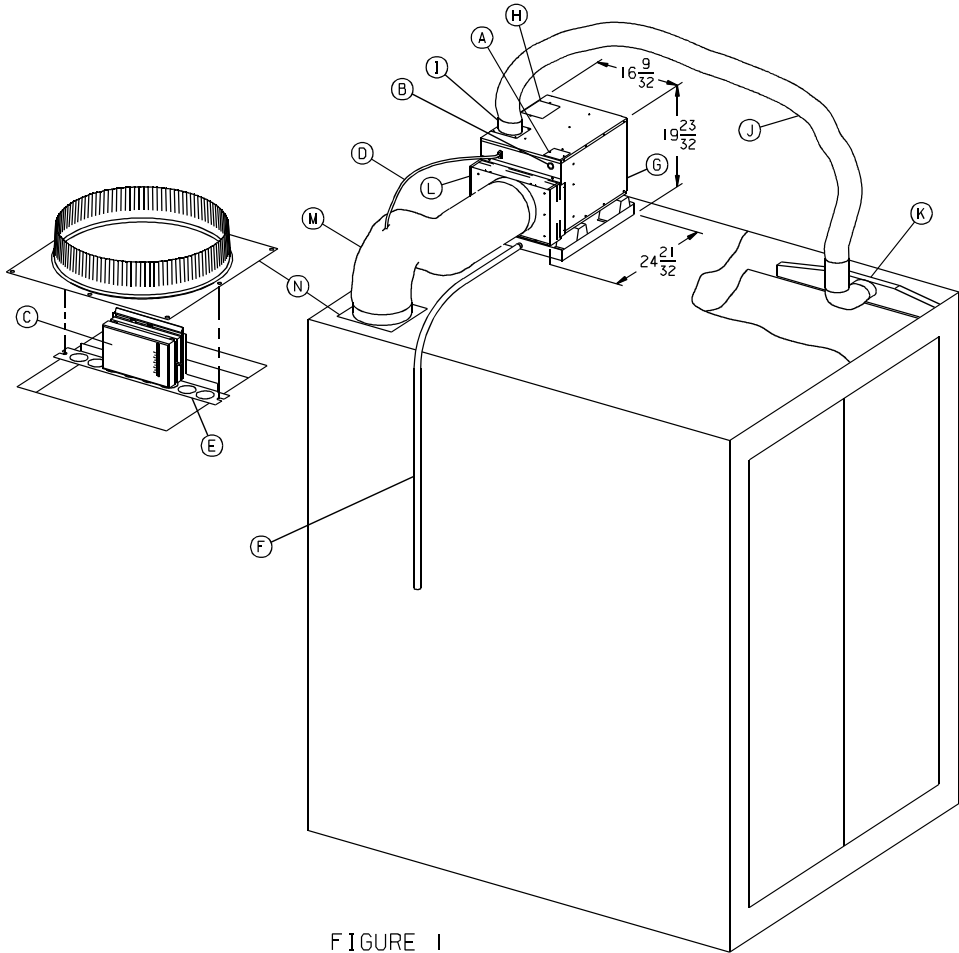


FIGURE 1

- | | |
|---|--|
| <ul style="list-style-type: none"> (A) FIELD WIRING ACCESS DOOR (B) POWER WIRE ENTRY (C) THERMOSTAT (D) THERMOSTAT EXTENSION CABLE (E) THERMOSTAT MOUNTING BRACKET (F) CONDENSATE DRAIN HOSE (G) CONDENSER AIR INLET | <ul style="list-style-type: none"> (H) CONDENSER AIR DISCHARGE (I) SUPPLY DUCT ADAPTOR ASSEMBLY (J) 4" DIA. INSULATED SUPPLY AIR FLEX DUCT (K) AIR DISTRIBUTION SCOOP (L) RETURN AIR BONNET & FILTER (M) 10" DIA. RETURN AIR FLEX DUCT (N) RETURN DUCT ADAPTOR ASSEMBLY |
|---|--|

5. GENERAL INFORMATION

The 6531 (115 volt) and 6571 (240 volt) series package air conditioners are intended for installation on the roof of elevator cabs or like-sized indoor use contrivances. Installation area should be sufficient to allow proper cutouts and mounting without cutting vital frame members or electrical wiring. Structural members should not create restrictions to airway ducts required by air conditioner.

A recommended installation is shown in Figure 1. Actual mounting and placement can vary according to existing conditions.

Conditioned air is delivered from the air conditioner to the interior of the enclosure through ducting that is supplied in Installation Kit #6531B625.

The system return air duct, return air filter, return air bonnet and thermostat are also found in the Installation Kit.

The air conditioner is powered by a 115 volt, 60 Hz, 1 Phase, 20 Amp electrical service for the 6531 series and 240 volt, 50 Hz, 1 Phase, 10 Amp electrical service for the 6571 series.

6. UNIT INSTALLATION

The air conditioner draws in topside air to cool the condensing coil.

The condensing airflow is drawn in from the end of the air conditioner (across the condensing coil) and discharged out through the top of the appliance (through the discharge opening).

To provide adequate condensing airflow, the installer must adhere to the following guidelines:

- 1) The topside air path to the condensing coil should be as direct and non-restrictive as possible.
- 2) Any decorative grille or louver used as an opening for condenser airflow should have a minimum of 90 square inches of free area.
- 3) Do not block or restrict the discharge or return air openings.
- 4) Ensure that there are no structural members or panels which would serve to cause condenser discharge air to recirculate into the condenser return air.
- 5) Attach the crimped adapter to the air conditioning unit using the four (4) long screws found in the small parts package.
- 6) The supply duct adapter is installed to exit conditioned air upward. Attach the adapter to the unit using the four (4) short screws supplied in the small parts package.
- 7) Mount the air conditioning unit by securing it to the mounting surface with bands or brackets. If using condensate evaporator with the air conditioner, elevate the air conditioner 4-5 inches to insure proper drainage of the condensate from the air conditioner drain pan to the evaporator.
- 8) Mount the thermostat to the thermostat mounting bracket using the screws provided with the thermostat. Connect extension cable to the thermostat cable. Attach thermostat with mounting bracket to the 10" diameter return air collar assembly using two (2) sheet metal screws.
- 9) Cut a 10 1/8" square opening in the cab top as far as possible from the intended location of the supply air duct into the cab. Position 10" diameter return air collar assembly with the thermostat/bracket over the opening. Fasten the collar to the cab top with rivets or screws. Using quality duct tape, seal the seams around the perimeter of the collar assembly.
- 10) Install the supply air distribution scoop inside the conditioned space in an area as far from the return air as possible. Air from the scoop should have a clear path into the conditioned area. Attach the scoop with adhesive, straps, brackets or by fastening through the part. If attaching with fasteners, pre-drill any clearance holes in the scoop to prevent cracking during installation. It is good practice to mount the scoop away from possible heat producing devices, such as lights, fixtures, etc.
- 11) Provide a 6" dia. hole in the roof to allow passage of the insulated 4" flex duct. The duct connects between the 4" collar at the unit and the oval opening at the air scoop. Secure the duct with 2 of the 4 cable ties provided in the Installation Kit.
- 12) Attach the 7/8" I.D. condensate drain hose to the unit drain pan. Secure with hose clamp.
- 13) Determine the most direct and shortest length of duct to be used to connect the 10" diameter uninsulated return air flex duct to the 10" diameter collar assembly installed in Step 8. Cut a small slit through the 10" diameter uninsulated return air flex duct directly above the 10" diameter collar assembly and route the thermostat extension cable through the slit in the duct. Cut off any excess duct and attach the duct to the return air bonnet using the duct ties provided. Seal the duct where the thermostat cable exits with a quality duct tape.
- 14) Connect the 10" flex duct between the return air bonnet and the adapter installed at Step #8. Secure with 2 cable ties.
- 15) Plug the remaining end of the cable into the air conditioners 4 pin thermostat connector.

DANGER - SHOCK HAZARD

Do not drill any openings into this air conditioner. When attaching ducting directly to the air conditioner, use only the pilot holes already provided. Drilling new openings and inserting screws may damage either the refrigeration circuit or electrical wiring, causing possible equipment damage, personal injury or death.

7. 115 (240) VAC - ELECTRICAL WIRING

1. **WARNING - SHOCK HAZARD**
To prevent the possibility of severe personal injury or equipment damage due to electrical shock, always ensure all the electrical power is disconnected and removed before beginning installation.
2. Power supply wire size should be determined per code and losses for long cable runs should be taken into account to insure the proper voltage to the air conditioner at unit startup amperage.
3. This air conditioner contains a compressor refrigeration system and requires power from a 115 (240) volt electrical circuit. The circuit connects to a terminal block inside the main unit.
4. High Voltage Routing Specifications

When routing the high voltage supply wiring, the following guidelines must be followed:

- A) High voltage wiring must be routed through a separate opening in the outer cabinet. This opening is referred to as the "power wire entry" (See Figure 1 (B), page 3). RV Products provides a 7/8" diameter opening for 1/2" conduit. A knockout for 3/4" conduit is also provided.
- B) Do not allow excess wiring to contact electrical terminals, sharp screw ends or edging that can cut or damage the wiring insulation.
- C) After connecting the ground wire to the grounding lug, verify that the ground wire (which in some instances will be bare copper) cannot come into contact with any high voltage terminal.

8. ADDITIONAL INSTALLATION INSTRUCTIONS

The **LiftAire I Series** of air conditioners are specifically designed and constructed for use on new elevator installations, modernizations and retrofits of existing elevator cabs. They are provided with all the materials needed to properly cool and/or heat an elevator cab. To ensure maximum efficiency and operation, the following should be adhered to:

1. Supply and return registers in the cab should not restrict airflow into and out of the cab. Any resistance of the airflow will limit the effectiveness of the unit and create wind noise. **The minimum amount of open area in the supply register should be 13 square inches and the return register, 79 square inches.** The return air and supply air registers should be as far away from each other to ensure proper air recirculation in the cab and back to the air conditioner.
2. While the installation kit provides 12.5 feet of supply and return air flexible duct, in order to limit airflow resistance, **all duct connections should be the most direct and the shortest possible.** Cut any extra flexible duct not required, connect flexible duct per previous installation instructions (page 4) and discard any extra material.
3. **Ensure that the thermostat is installed in the return duct or the cab.** If using the standard thermostat, check that the temperature and operation

settings are correct. If using the automatic thermostat, make sure the unit is programmed for the type of operation you require. When the thermostat is installed in the cab, it must be able to sense cab temperature to operate properly. If placed within the fixture area of the cab, there must be a perforated cover to allow cab air access to the thermostat. Locating the thermostat anywhere else affects the proper operation of the **LiftAire I** unit and cooling of the elevator cab as designed.

4. If you are retrofitting an existing cab for normal operating conditions, **it may not be necessary to use the fan supplied in the original cab.** The **LiftAire I** air conditioner has a fan that will run continuously with proper settings of the thermostat. If you allow the cab fan to operate during normal conditions you will bring hot, cold or humid hoistway air into the cab, thereby defeating the purpose of the air conditioner and its effectiveness. **If it is permitted, remove the original fan to prevent allowing warm hoistway air into the cab during ascent and descent of elevator.** If available, you can use the original fan's opening for the return air register provided it has 79 square inches of open area and is far enough away from the supply air register to ensure proper recirculation of the cool air. If using the **LiftAire I** on a new installation, a cab fan is probably not required. If a fan is required or in case of power

outage, it is recommended that the fan operate only during power loss. In addition, the fan should utilize a spring loaded or powered louver that opens during fan operation. This prevents unregulated hoistway air from entering the cab during air conditioner operation.

5. All supply and return registers with duct work into the cab must be manufactured and installed to prevent any air leaks and losses of the cold supply air from

the air conditioner and return air back to the air conditioner.

6. Never install the condensate evaporator under the return or supply air ducts. This can cause water accumulation, damage to the ducts and damage to the cab.
7. It is the responsibility of the installer to ensure that the installation meets any and all building, electrical and other applicable codes.

9. MAINTENANCE INSTRUCTIONS

The **LiftAire I Series** of air conditioners require very little maintenance during normal operating conditions. The following are general requirements that should be performed every 4-6 months.

1. Air filters should be inspected and washed on a regular basis. The filters are reusable after being washed.
2. Evaporator and condenser coils should be inspected and, if dirty, cleaned on a regular basis. Remove by hand any paper or debris that might have collected on the coils and blow compressed air through the coils. This should not have to be done very often unless the shaftway and installation are in a very dirty environment.
3. Inspect and clean the condensate drain pan. Ensure the drain hole and hose are clear of debris to allow any condensate to properly drain.
4. If a condensate evaporator is used, inspect to ensure there is no debris on the guard or in the evaporator pan. Ensure drain hole and hose are clear of debris.
5. If an automatic thermostat is used, check the LCD display and observe if the word "BATTERY" is flashing. If it is displayed, the "AA" alkaline batteries are low and should be replaced. See thermostat operating manual for battery replacement instructions.

DANGER

WHEN USING NON-METALLIC SHEATH SUPPLY CABLES (ROMEX, ETC.); IF ALLOWED BY BUILDING, ELECTRICAL OR APPLICABLE CODES, STRIP SHEATH BACK TO EXPOSE 4-6 INCHES OF THE SUPPLY LEADS. STRIP THE INDIVIDUAL WIRE LEAD ENDS FOR WIRE

CONNECTION (ABOUT 3/4" BARE WIRE). INSERT THE SUPPLY WIRES INTO THE ELECTRICAL CONNECTOR CLAMP. SHEATH MUST PROTRUDE PAST CLAMP BUSHING INSIDE THE BOX. MAKE SURE SHEATH CABLE IS CENTERED IN CLAMP BEFORE TIGHTENING IT. DO NOT OVERTIGHTEN!! THIS COULD RESULT IN PINCHING THROUGH THE PLASTIC WIRE INSULATION AND CAUSE SHORTING OR "HOT" WIRES TO GROUND (SHOCK HAZARD). THE CLAMP IS INTENDED FOR STRAIN RELIEF OF THE WIRES. SLIGHT PRESSURE IS USUALLY SUFFICIENT TO ACCOMPLISH THIS.

IF OTHER THAN NON-METALLIC CABLES ARE USED FOR SUPPLY CONDUCTORS, APPROPRIATE STRAIN RELIEF CONNECTORS OR CLAMPS SHOULD BE USED.

IN NO CASE SHOULD CLAMPING OR PINCHING ACTION BE APPLIED TO THE INDIVIDUAL SUPPLY LEADS (NEUTRAL AND "HOT" WIRES).

DANGER - SHOCK HAZARD

TO PREVENT THE POSSIBILITY OF SHOCK INJURY FROM APPLIANCE OPERATION:

THE WHITE WIRE MUST BE CONNECTED TO NEUTRAL IN THE SERVICE BOX ENTRANCE AND THE MECHANICAL GROUND MUST BE CONNECTED TO A GROUNDING LUG EITHER IN THE SERVICE BOX OR THE MOTOR GENERATOR COMPARTMENT.

In order to utilize smaller gauge, less expensive follower cables; it may be economical to provide a stepdown transformer at the elevator car to provide power for the air conditioner.

10. THERMOSTAT AND 24 VAC WIRING

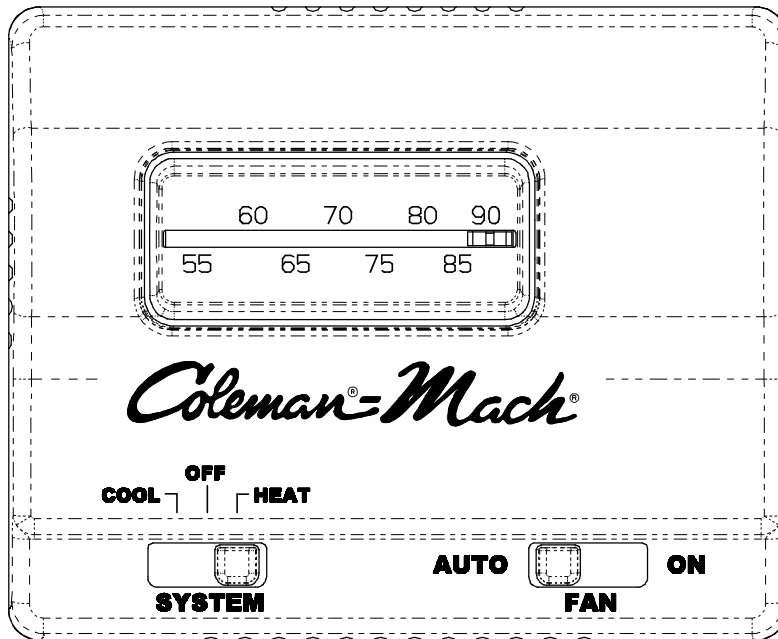
THERMOSTAT OPERATING AND WIRING REQUIREMENTS

The 6531 (115 volt) and 6571 (240 volt) series air conditioners are designed to be controlled by the 24 VAC thermostat provided in the installation kit or by our optional automatic thermostat.

The thermostat should be mounted on the return air duct mounting bracket (See Figure 1 (C), page 5). The air conditioner and thermostat connect using the plug-in extension cable provided in the 6531B625 Installation Kit.

The chart below details system functions.

■ SHOWS POSITION OF SWITCH					OPERATION
FAN		SYSTEM			
AUTO	ON	COOL	OFF	HEAT	
■	□	■	□	□	Compressor and blower cycle as required
■	□	□	■	□	No functions occur
■	□	□	□	■	Heater and blower cycle as required
□	■	■	□	□	Blower runs continuously. Compressor cycles as required
□	■	□	■	□	Blower runs continuously. No heating or cooling function occurs
□	■	□	□	■	Blower runs continuously. Heater cycles as required



- RH ⊗ 24 VAC INPUT (HEAT)
- R ⊗ 24 VAC INPUT (COOL)
- G ⊗ FAN OUTPUT
- Y ⊗ COMPRESSOR OUTPUT
- W ⊗ HEAT OUTPUT

11. PRE-CHECK PRIOR TO POWER UP

1. Before engaging power to any system, ensure the following:
 - A) All tools have been removed from the equipment;
 - B) All wiring is attached, routed and properly secured according to applicable codes;
 - C) All panels (both mechanical and electrical) are properly in place;
 - D) The thermostat system is switched to the "OFF" position; and
 - E) All co-workers have been warned that the equipment is about to be energized.
2. System wiring may be checked by referring to the wiring diagram located on either the back of the wiring box door or in this manual (See page 11).
3. After complying with Steps 1 and 2, engage power to all systems and begin checkout procedure.

12. INSTALLATION INSTRUCTIONS FOR 6531-3251 (115 VAC-20 AMPS) AND 6571-3251 (240 VAC-10 AMPS) CONDENSATE EVAPORATOR

PACKAGE CONTENTS

- 1 - Condensate Evaporator Assembly
- 1 - Unit Drain Filter Pad
- 2 - Filter Pad Hold-Down Clips
- 1 - 3/8" I.D. x 4 Ft. Overflow Hose
- 1 - Hose Clamp
- 4 - Evaporator Mount Clips
- 1 - Evaporator Guard

FILTER INSTALLATION

Center filter pad over condensate drain fitting inside of unit drain pan and secure filter pad with hold-down clips which slide over the edge of the unit drain pan to hold the filter in place (See Figure 2).

EVAPORATOR INSTALLATION

- A. The elevator air conditioner should first be installed following the instructions provided with the unit. The air conditioner **must be installed** at least 5" higher than the mounting surface for the condensate evaporator to allow for proper drainage (See Figure 3).
- B. Install the condensate evaporator with four screws through the mounting flanges so the evaporator is level and will not shift. Position the evaporator guard basket over the evaporator, routing the conduit through a grid section. Secure evaporator guard to the base using the four clips provided. Position the guard to allow the overflow hose direct entry through a grid section to the evaporator.

- C. Route a length of 7/8" I.D. drain hose provided with the air conditioner through a grid section to provide drainage into the evaporator without touching the evaporator. The drain hose will fit snugly through a grid section. **Do not allow the drain hose to route above the a/c unit drain pan at any point.**
- D. Attach the 3/8" I.D. hose to the evaporator using the clamp provided. This hose will pass through an evaporator guard grid section. Free end of this hose will be inserted and secured into the remaining 7/8" I.D. hose which passes to the bottom of the elevator. The 7/8" I.D. hose should be clamped to the elevator side. Ensure that a minimum of 4 inches of evaporator overflow hose is inserted and secured into the larger drain hose. **Do not allow the overflow hose to route above the evaporator pan at any point.**
- E. Connect power supply per all building, electrical and other applicable codes.

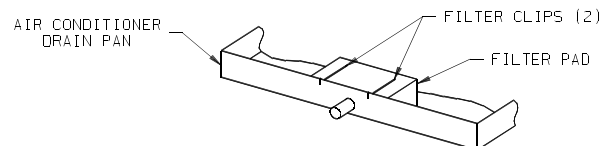


FIGURE 2

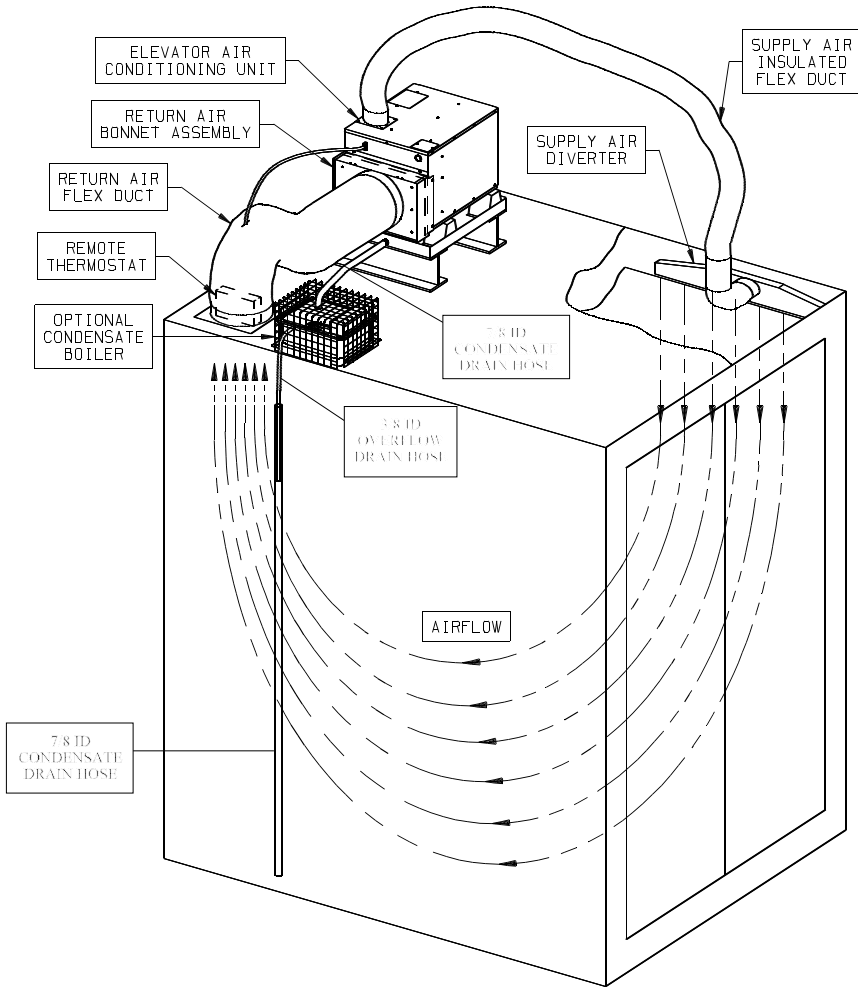
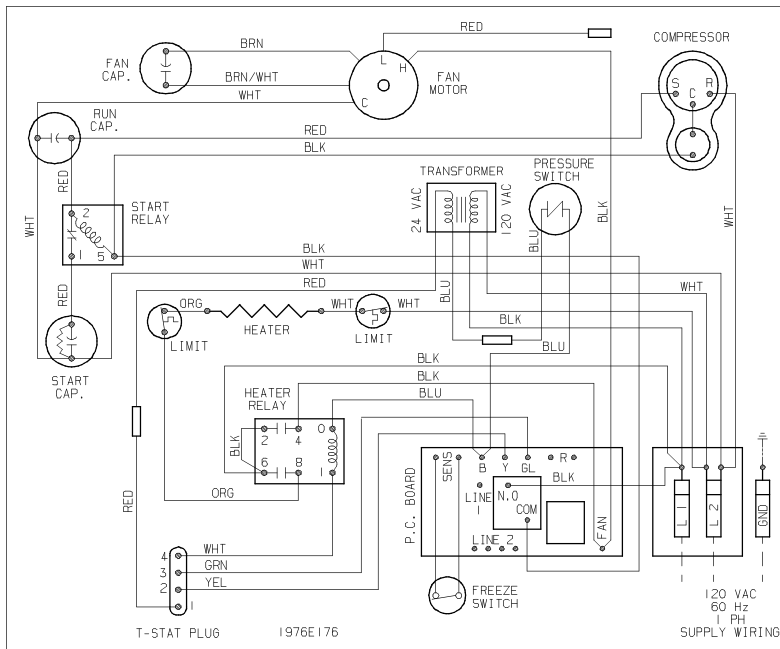


FIGURE 3



LIFTAIRE™ ELEVATOR AIR CONDITIONER

FEATURES

- Lightweight, 75 lb. unit mounts easily in virtually any position on top of the elevator.
- Self-contained, packaged design for easy installation.
- Compact rotary compressor saves space and weight.
- Rated at 7,100 BTUH nominal cooling capacity.
- Mechanical heat/cool thermostat mounted in return air flex duct for secure settings and more accurate temperature sensing. 15' umbilical for remote thermostat mounting. Optional automatic changeover heat/cool thermostat available.
- Standard 1600 watt electric heater delivers 5,600 BTUH heat capacity.
- Fan can be set to operate continuously for improved air circulation and filtration.
- 150 cubic feet per minute airflow rate.
- Compressor hermetically sealed at factory for leakproof refrigerant flow and efficient operation.
- Black finish on supply air diverter conceals it in the gap between the false ceiling and interior wall.
- Compressor and outer cabinet are mounted on shock absorbing rubber for added durability and noise reduction.
- Long lasting copper tubing is fabricated with shock loops to strengthen the system's vibration resistance.
- Gas-flux brazed joints on the tubing to resist corrosion.
- Start circuit with start capacitor and relay makes starting easier on the compressor.*
- All galvanized steel construction of the outer cabinet ensures corrosion resistance.
- Heavy-duty, galvanized steel drain pan is specially designed for corrosion-resistant durability with bronze-brazed corners and powder-coated corners and powdered-coated epoxy paint.
- Freeze protection is provided to prevent evaporator freeze-up.
- 4-pin connector plugs into air conditioner for easy thermostat hookup.
- Field wiring accomplished simply and easily to lugs on Printed Circuit Board.
- Washable filter, 10" x 16" drops into return air bonnet.

OPTIONAL ACCESSORIES

- Automatic Transformers, 240 Volt, 50 Cycle, 1 Phase to 115 Volt, 60 Cycle, 1 Phase.
- Automatic Thermostat - Programmable for 7-day operation; on-off, heat/cool
- Condensate Evaporator - 115V or 240V, 2000 watts complete with pan, filter, overflow tube and connection cables
- Overflow Detection Device

SPECIFICATIONS

Nominal BTUH Cooling Capacity.....	7,100	
Delivered BTUH Heating Output.....	5,600	
Electrical Rating.....	1/60/115V	1/50/240V**
Locked Rotor Cooling Amps.....	34	19.3
Approximate Full-Load Amps/Cooling.....	9.8	5.8
Approximate Full-Load Amps/Heating.....	15.4	8.2
Running Watts (1).....	990	975
Running Watts (2).....	1,150	1,130
Running Watts/Heating.....	1,600	1,600
Evaporator Air Delivery CFM (high speed).....	150	150

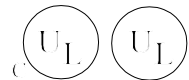
(1) Tested under the following conditions: Cooling A.R.I. Standard Conditions 80°F. DB/67°F. WB Indoor, 95°F. DB Outdoor at 115 VAC.

(2) Tested under the following conditions: Cooling A.R.I. Standard Conditions 95°F. DB/71°F. WB Indoor, 115°F. DB Outdoor at 103.5 VAC.

Coleman is a registered trademark of The Coleman Company, Inc. used under license. Mach is a registered trademark and LiftAire is a trademark of Recreation Vehicle Products.

* Available for 115 volt models only.

** 240 volt model is not U.L. listed.



**For more information about the LiftAire,
in North America, contact:**

Elevator Motors Corporation
80 Carolyn Blvd.
Farmingdale, NY 11735-1525
Phone (631) 293-4220
Fax (631) 293-2714
E-Mail: info@elevatormotors.com

**For more information about the LiftAire,
outside North America, contact:**

Global Elevator Products Corporation
P.O. Box 147
Plainview, NY 11803-0147
Phone (516) 932-7968
Fax (516) 932-0987
E-Mail: info@globalelevator.com

13. WARRANTY

Let's face it. Sometimes even the best products may need service. To obtain warranty service on your RV Products air conditioner, contact your selling dealer or you may also access our web site on the Internet at www.rvcomfort.com for answers to the most frequently asked questions and service center locations.

RV Products support help may be accessed by E-mail at RVPSupport@Airxcel.com.

All written correspondence should be directed to:

RV Products
A Division of Airxcel, Inc.
P.O. Box 4020
Wichita, KS 67204

IMPORTANT

1. Carefully read your limited two year product warranty which is packed with the product.
2. Inquiries about your RV Products air conditioner must include the model and serial numbers and the date of purchase. The model and serial numbers can be found on the I.D. label located on the air conditioner basepan return air opening at the bottom of the roof unit. This information may also be found on the air conditioner rating plate.



ASSOCIATED PRODUCTS LIMITED TWO YEAR AIR CONDITIONER WARRANTY

1. These products are warranted to the retail consumer for two (2) years against defects in material and workmanship. The warranty is transferrable from owner to owner.
2. Any defective parts will be repaired, or at RV Products option, replaced on an exchange basis. RV Products will pay its established warranty labor rates to the RV Products Service Centers or Servicing Dealers who have service agreements with RV Products for repairs or replacements made under this warranty. The warranty covers transportation charges for the shipment of replacement parts to the service center.
3. The warranty duration shall be calculated as follows:
 - 3.1 The warranty on repaired or replaced parts furnished pursuant to this warranty shall be for the unexpired duration of the original warranty.
 - 3.2 If the product is installed as original equipment on the vehicle, the warranty period shall begin on the date of the original purchase of the vehicle.
 - 3.3 In all other instances, the warranty shall begin on the date of the products installation in the vehicle/structure.
 - 3.4 The Consumer must establish these dates by presenting legible papers at the time the warranty claim is made showing the applicable purchase or installation date.
4. The Consumer should proceed as follows to obtain warranty performance:
 - 4.1 To obtain warranty service on your RV Products air conditioner, please contact your selling dealer, or you may access our web site on the Internet at www.rvcomfort.com for answers to the most frequently asked questions and service center locations. Call the Service Center and report the problem. Only Authorized Service Centers may perform warranty obligations during the two year warranty period. Service performed by non-authorized service personnel may void all warranty rights. If local authorized service cannot be obtained or you cannot obtain proper service under the terms of this warranty, please write to: RV Products, P.O. Box 4020, Wichita, Kansas 67204 or call 316-832-4357.
 - 4.2 The recreational vehicle must be taken to the Service Center for required service. There are no provisions for mileage allowance, air conditioner removal or transportation expenses.
 - 4.3 All payments for in warranty expenses shall be made by RV Products to the Service Center and not to the Consumer.

EXCEPTIONS AND EXCLUSIONS

5. To the extent any or all of the following exclusions or any other provisions of this warranty are prohibited by any Federal, State or Municipal laws, and cannot be preempted, they shall not be applicable:
 - 5.1 **THERE ARE NO OTHER EXPRESSED WARRANTIES EXCEPT AS SET OUT ABOVE AND ANY IMPLIED WARRANTIES, INCLUDING THE IMPLIED WARRANTIES OF MERCHANTABILITY AND FITNESS FOR A PARTICULAR PURPOSE SHALL BE NO LONGER THAN THE DURATION OF THE EXPRESSED WARRANTY. SOME STATES DO NOT ALLOW LIMITATIONS ON HOW LONG AN IMPLIED WARRANTY LASTS, SO THE ABOVE LIMITATION MAY NOT APPLY TO YOU.**
 - 5.2 **THIS WARRANTY DOES NOT COVER CONSEQUENTIAL DAMAGE, INCIDENTAL DAMAGES OR INCIDENTAL EXPENSES, INCLUDING DAMAGE TO PROPERTY. SOME STATES DO NOT ALLOW THE EXCLUSION OR LIMITATION OF INCIDENTAL OR CONSEQUENTIAL DAMAGE, SO THE ABOVE LIMITATION OR EXCLUSION MAY NOT APPLY TO YOU.**
 - 5.3 This warranty applies only to products sold at retail in the United States and Canada.
 - 5.4 This warranty does not cover damage caused by mishandling, neglect, lightning, corrosive atmosphere, improper installation, improper application or improper energy supply.
 - 5.5 This warranty does not cover damages caused by failure to perform normal and routine maintenance as set out in the product operation and maintenance instructions.
 - 5.6 This warranty does not cover damages or equipment failure caused by the use of non-RV Products parts or components.
 - 5.7 This warranty shall not apply if the nameplate is removed or defaced.
 - 5.8 This warranty shall not apply if the vehicle on which the air conditioner is installed is used for maritime activities.
 - 5.9 This warranty shall not apply if the vehicle on which the air conditioner is installed is used for commercial purposes involving off highway travel.
 - 5.10 This warranty does not cover air conditioner damage or component failures that are the result of transportation or application vibration.
6. This warranty gives you specific legal rights, and you may also have other rights which vary from state to state.

RV Products
A Division of Airxcel, Inc.
P.O. Box 4020
Wichita, KS 67204